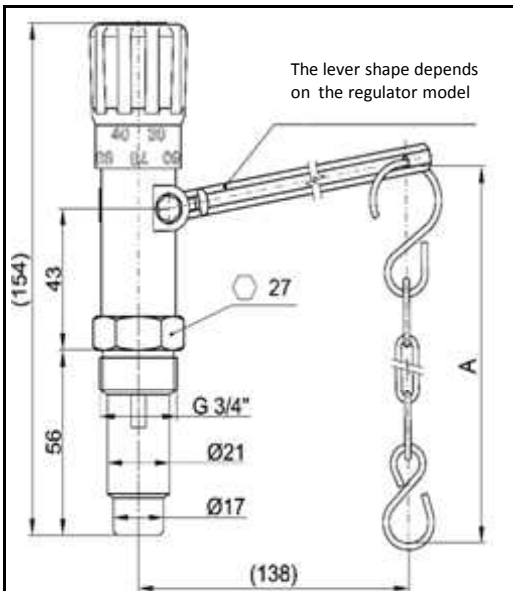
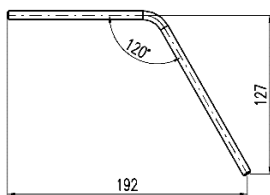


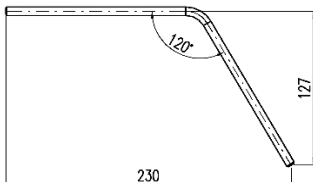
**Draft Regulators, models RT4, RT4 P, RT4 L and RT4 S**



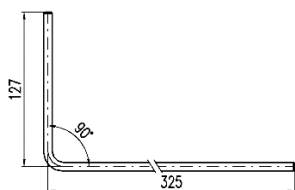
lever  
RT4



lever  
RT4 L, RT4 P



lever  
RT4 S



<b>Application</b>	heating systems with solid-fuel fired heat sources
<b>Purpose</b>	keeping the temperature of working fluid from a solid-fuel fired heat source at the value set by the knob
<b>Working fluid</b>	water, water with glycol up to 1:1 ratio, thermal oil
<b>Working position</b>	vertical or horizontal

<b>Function</b>	Automatic operation depending on the working fluid temperature. The movement of the thermostatic element (caused by working fluid temperature rising) is transferred via a lever mechanism and a chain to a combustion air inlet damper. The damper closes and the output of the solid-fuel fired heat source goes down. As the working fluid cools down, a compression spring acts against the element, the combustion air damper opens and the output of the heat source rises.
-----------------	---

<b>Technical data</b>	
Connection size	G 3/4" M
Nominal pressure	PN 6
Max. working pressure	0.6 MPa
Max. fluid working temperature	120 °C
Working fluid temperature control range	30-90 °C
Max. ambient temperature	60 °C
Chain load	100-1000 g

<b>Materials</b>	
Sheath	nickel-plated brass
Body	chrome-plated zinc alloy
Knob	Bakelite
Lever	zinc-plated steel
Chain	zinc-plated steel

Model	Dimension A [mm]	Weight [g]	Code
<b>RT4</b>	1 250	410	<b>13 878</b>
<b>RT4 P</b>	1 400	430	<b>14 346</b>
<b>RT4 L</b>	1 250	420	<b>14 743</b>
<b>RT4 S</b>	1 250	470	<b>14 716</b>

<b>Changes against RT3</b>
#27 hexagon is integrated in the sheath.
The sheath and body are connected through a fine thread
Max. chain load is 1000 g.