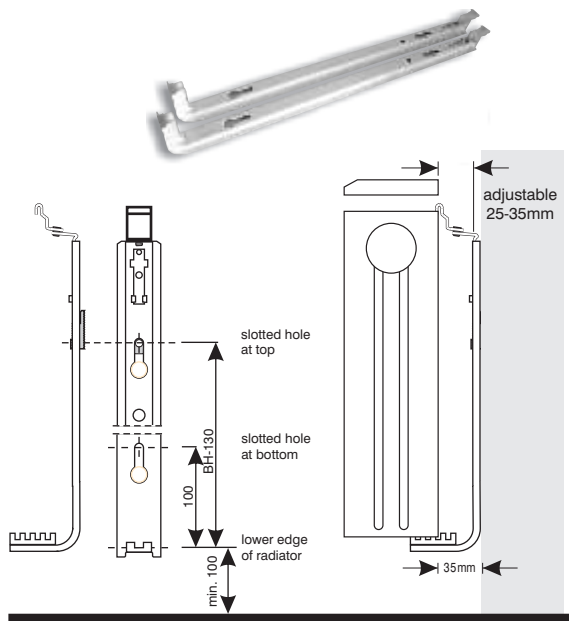


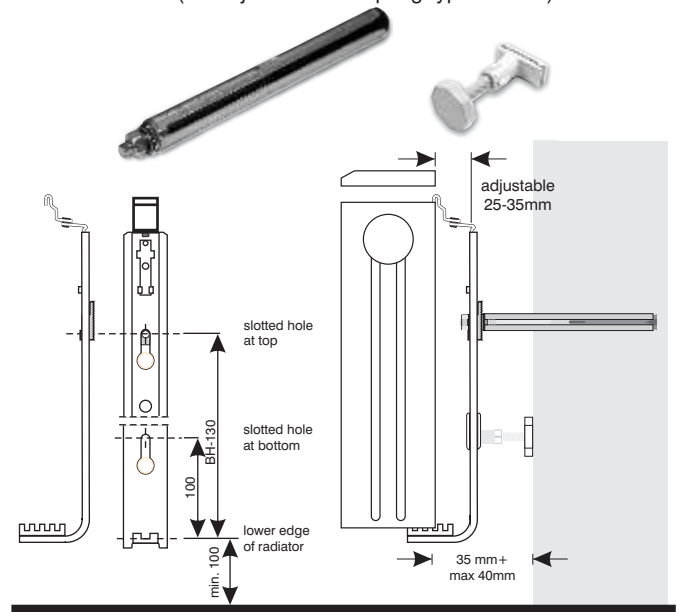


Wall mounting

with spring-type bracket



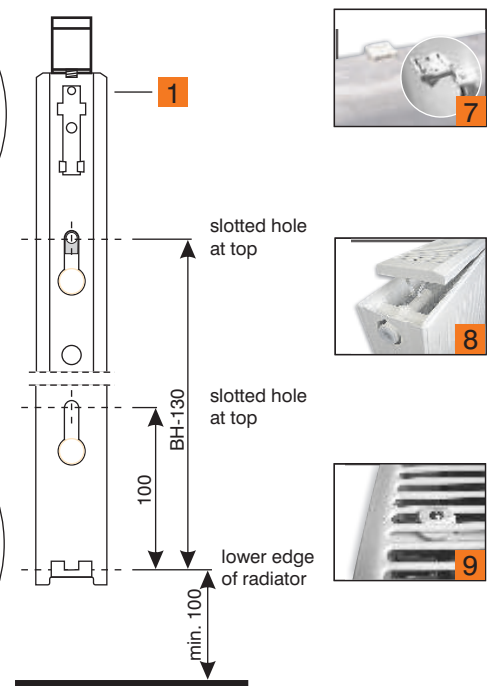
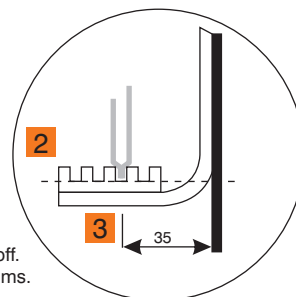
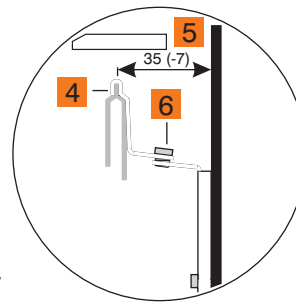
with drill bracket (in conjunction with spring-type bracket)



Instructions for wall mounting with spring-type brackets

All HM radiators can be mounted quickly and securely using spring-type brackets.

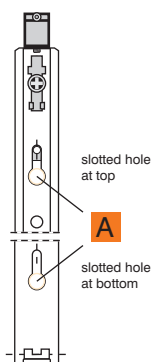
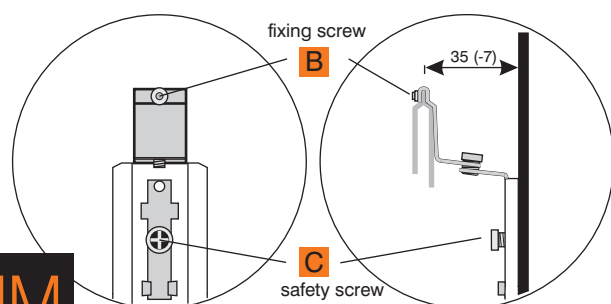
- 1** Fix the spring-type brackets to the wall so that they are vertically aligned, and then align them horizontally with the slotted holes.
- 2** Place the radiator (without the top cover) on the supporting plastic louvres.
- 3** We recommend using the second louvre from the wall, which results in a wall clearance at the bottom of 35mm (the wall clearance at the top is set in the factory to correspond to this).
- 4** Ensure that the top hook snaps into place so that it clamps over the entire top edge of the radiator and holds the radiator securely against the wall through the spring balancer.
- 5** Put the top cover onto the radiator.
- 6** Next, compensate for any unevenness in the wall by altering the top hook adjusting device.
- 7** Installation in packaged state (optional)
For wall mounting the HM radiator in a packaged state, we recommend using the pre-assembly adapter.
- 8** Cleaning instructions
The stylish top cover on HM radiators, with welded-on retaining clips, can be easily removed for cleaning (without using tools).
- 9** Lift lock (optional)
The lift lock prevents the top cover from being accidentally lifted off. It is ideal for use in schools, public buildings and in children's rooms.



Additional instructions for fixing "vertical bracket" to wall

- A** The spring-type brackets of vertical radiators must always be fixed using all drill-holes (slotted holes at top and bottom).
- B** One of the vertical brackets has an additional fixing screw on the top hook. After the radiator panel is fully locked in place, this hexagon socket screw must be tightened.
- C** Next, tighten the additional pre-assembled safety screw (anti-lift device) to form a secure connection between the top hook and the bracket body.

Finally, check the tightness of the fixing elements and safety devices.

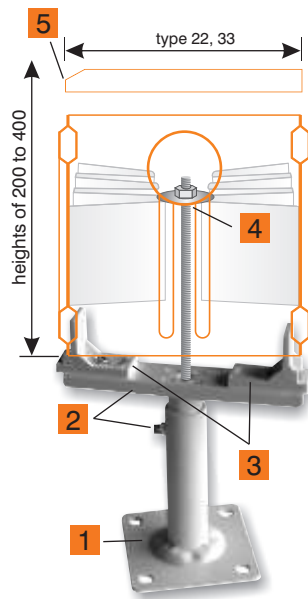




Floor mounting

with "Plus" floor bracket for heights of 200 - 400

- 1** Position the floor brackets on the floor and bolt them down.
- 2** Adjust the upper part of the floor brackets to the required height and lock at this height in the floor bracket base.
- 3** Adjust the plastic supports and place the radiator on them (without the top cover).
- 4** Press the washer against the fins with the aid of the threaded rod and lock the radiator in place in this way.
- 5** Put the top cover onto the radiator.

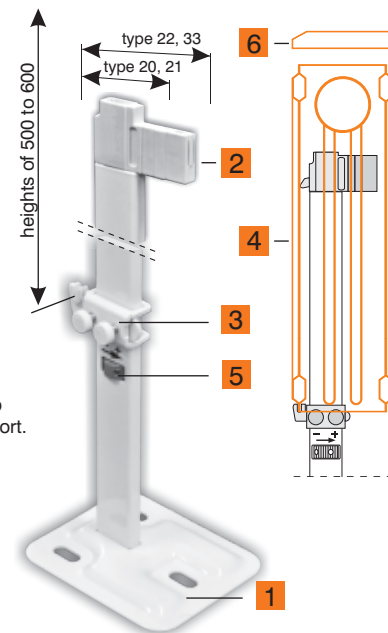


The "Plus" floor bracket is available in two different versions for finished floor surfaces (125 - 185mm) and for unfinished floor surfaces (185 - 285mm) and is suitable for heights of 200, 300, 350 and 400.

There is a suitable foot cover for every type of floor bracket.

with "Standard" floor bracket for heights of 500 - 600

- 1** Position the base of the floor brackets on the floor and bolt down the base.
- 2** Shorten the height of the plastic upper part as required to suit the particular type.
- 3** Adjust the radiator support to the required height and lock at this height.
- 4** Place the radiator (with the top cover removed) onto the support.
- 5** Brace the radiator using the locking screws.
- 6** Put the top cover onto the radiator.



The "Standard" floor bracket is available in two different versions for finished and unfinished floor surfaces and is suitable for heights of 500 and 600.

There is a suitable foot cover available for the floor bracket.

General installation instructions

Select screws and wall-plugs to suit the wall or floor conditions.

From a radiator length of 1.60m upwards, we recommend the use of at least three spring-type brackets or floor brackets, and from a length of 2.20m upwards we recommend the use of four brackets.

Where there are particular physical loads (increased leverage effect, special stresses), it may be necessary to use three or more spring-type brackets or floor brackets even for shorter radiators. Please consult us in this case.