

# WATER HEATERS AND HOT WATER STORAGE TANKS



Cerbos

küttesüsteemid • müük • paigaldus • hooldus  
Paide mnt 7, Pärnu 80042, Eesti • [www.cerbos.ee](http://www.cerbos.ee)



# ESIDRAŽICE



**IT ALL BEGAN**  
WITH A SIMPLE IDEA



to produce the most cost-efficient and trouble-free water heater – the best storage heater. Every year, we think we are close enough to our goal. And yet, every year we produce more sophisticated water heaters, storage tanks and heating elements, ...

Maximum user comfort, energy efficiency and environmental responsibility are the main driving forces in our daily work.



<b>ELECTRIC WATER HEATERS</b>	8	WALL-MOUNTED VERTICAL OKHE ONE   OKHE SMART   OKHE   OKCE   OKCE 2/6 kW
	13	WALL-MOUNTED HORIZONTAL OKCEV
	14	NON-PRESSURE FLOW HEATERS PTO   HA-DR
	16	PRESSURE FLOW HEATERS MX   HA-DR T
	18	SMALL CAPACITY PRESSURE AND NON PRESSURE WATER HEATERS TO 5   TO 10   TO 15   TO 20   CLOSE
<b>ELECTRIC WATER HEATERS AND STORAGE TANKS</b>	24	FLOOR-STANDING OKCE S/2,2 kW
	25	FLOOR-STANDING FOR INSTALATION ELECTRIC HEATING ELEMENT OKCE S
<b>COMBINED WATER HEATERS</b>	30	WALL-MOUNTED VERTICAL OKC
	31	WALL-MOUNTED HORIZONTAL OKCV
<b>HOT WATER STORAGE TANKS</b>	34	WALL-MOUNTED VERTICAL OKC/1 m <sup>2</sup>   OKC/1 m <sup>2</sup> 2/6 kW   OKC NTR/Z
	37	FLOOR-STANDING OKCE NTR/2,2 kW
	38	FLOOR-STANDING INDIRECT HEATING OKC NTR/BP   OKC NTRR/BP   OKC NTR   OKC NTRR OKC NTR/HV   OKH NTR/HV   OKC NTR/HP   OKC NTRR/HP/SOL
	52	FLOOR-STANDING OKC NTRR/SOL
	54	WATER HEATER WITH HEAT PUMP AQUA-HP
<b>ACCESSORIES</b>	58	ORIGINAL PARTS FROM DRAŽICE
	62	ACCESSORY TABLES
<b>ANOTHER ASSORTMENT</b>	66	PHOTOVOLTAIC
	66	STORAGE TANKS
	67	AIR-CONDITIONING - SPLIT AND MULTISPLIT

Tolerance of all stated dimensions complies with ČSN ISO 2768-c.

Note: \* The value is derived by calculation \*\* For models 200 and 250, a 6 bar safety valve is included.

## MAIN ADVANTAGES



### CRYSTAL ENAMEL®

DZD water heaters and hot water storage tanks are protected inside by a unique Crystal Enamel anti-corrosion coating developed in cooperation with the German company Wendel. This layer is hygienically clean and therefore suitable for permanent contact with drinking water. Unlike the stainless steel, Crystal Enamel is resistant to pitting corrosion in the environment of hard and chlorinated water.



### THERMO GEN®

Thermogen4 is the fourth generation of our exclusive insulating foam, which has been developed in cooperation with the company of Covestro, for attaining the most optimal heat-loss coefficients. The key here is a unique mixture tailor-made for our heaters. Its qualities are in line with all current and future trends in the field of heaters. It excels both in its insulating qualities as well as its shape integrity. Moreover, we are one of the first manufacturers in Europe able to meet the strictest ecological requirements of the EU, and thereby significantly contribute to protecting the atmosphere and the environment.



### CERAMIC SOLUTION®

The Ceramic Solution electrical heating unit is exceptionally resistant to hard and aggressive water and significantly extends the life of the water heater and storage tank under any conditions. This ensures the long-term stable performance of the heater system due to reduced limescale. DZD is a pioneer in this water heating solution; they have been using it in their products for over 50 years.



INLETS



Legend to

## ICONS

OUTLETS



INSTALLATION



Gas boiler



Solid fuel boiler



Biomass boiler



Fireplace insert



Electric heating – dry ceramic electrical heating unit TPK



Electric heating – wet electrical heating unit TJ 6/4"



Electric heating – series R, SE electrical heating unit



Electrical heating unit (part of the product)



Heat pump



Photothermic solar power system



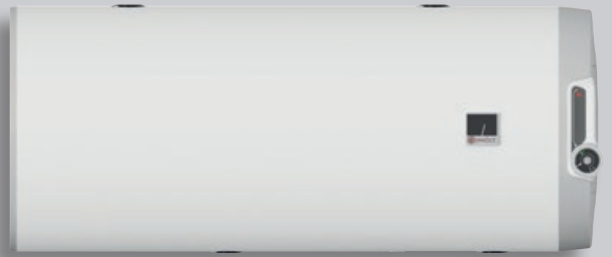
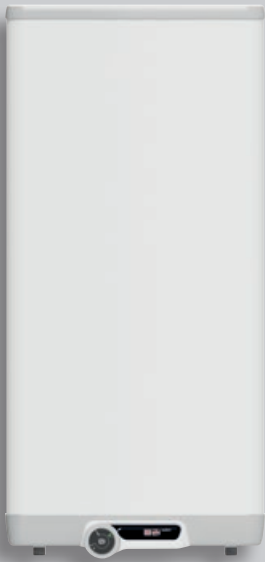
Photovoltaic solar power system



Hot water



Universal bracket





## **ELECTRIC WATER HEATERS**

WALL-MOUNTED VERTICAL

WALL-MOUNTED HORIZONTAL

LOW-PRESSURE FLOW HEATERS

PRESSURE FLOW HEATERS

LOW-CAPACITY PRESSURE  
AND LOW-PRESSURE STORAGE TANKS



- New flat heater in models 20–120
- Suitable for installation in restricted areas, it can be built in the kitchen line
- Quick water heating due to the concept of two vessels
- It combines the traditional DZD technology and modern design
- Possible alternatives to the replacement of the gas heater
- The option of purchasing 2 multipurpose holders (order number 102000703)
- New flexible wall hinge available (4 mounting buttons)
- New electronic thermostat



#### Video tutorials:



replacing the original heater



directly on the wall



with a universal hinge, width of the groove on M6 screw



width of the groove on M8 screw

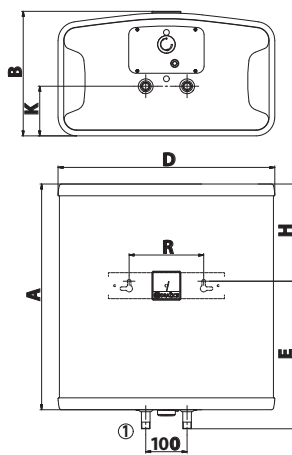


with 4 flexible brackets

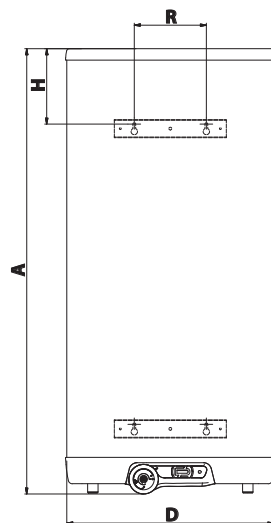
Type of storage tank		OKHE ONE 20	OKHE ONE/E 30	OKHE ONE/E 50	OKHE ONE/E 80	OKHE ONE/E 100	OKHE ONE/E 120	
Order number		180210801	1811108101	1805108101	1801108101	1808108101	1803108101	
Capacity	[l]	20	28	41	65	80	98	
Max. weight of the empty water heater	[kg]	17	22	31	46	55	62	
Insulation thickness	[mm]	min. 41	min. 33					
Thermal conductivity of the insulation	[W·m <sup>-1</sup> ·K <sup>-1</sup> ]	0,022						
Power consumption of the el. heating unit	[W]	2200	1100	2000				
Heating time from 10 °C to 60 °C	[h]	0,5	1,5	1,5	2	2,5	3	
Electrical connection		1/N/PE ~ 230V/50Hz						
Recommended circuit breaker size	[A]	10			16			
Degree of protection		IP44						
Max. operating temp. / overpressure in tank	[ °C]/[bar]	80/6						
Energy efficiency class		A		C				
Annual consumption	[kWh·a <sup>-1</sup> ]	485	561	1353	1378	1405	1403	
Mixed water V40	[l]	26,14	39,37	72,16	88,77	113,12	118,16	

Dimensions [mm]	A	B	D	E	F	H	K	R
OKHE ONE 20	545	301	523	356	–	235	120	180
OKHE ONE 30	617	318	523	500	350	110	110	180
OKHE ONE 50	845	318	523	730	560	110	110	180
OKHE ONE 80	1112	318	523	920	750	190	110	180
OKHE ONE 100	1327	318	523	1135	950	190	110	180
OKHE ONE 120	1552	318	523	1360	1150	190	110	180

SOCKET no. 1 1/2" outer

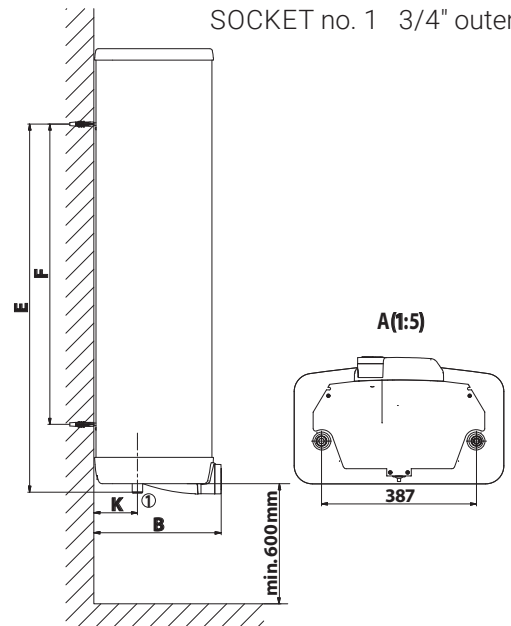


OKHE ONE 20



OKHE ONE 30-120

SOCKET no. 1 3/4" outer





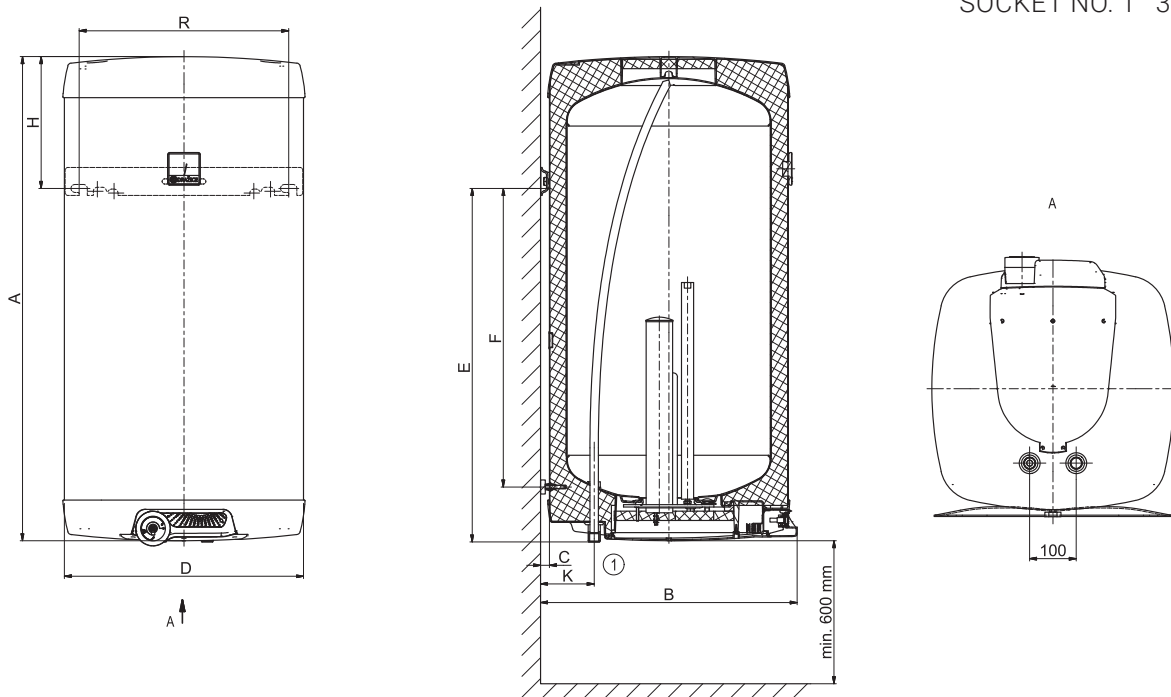


- Electric water heater combining the best available technologies
- Contains self-learning Smart Control Unit for optimisation of consumption, saving up to 15% on expense
- Can be controlled using DZD smartphone app (Android/iOS)
- Smart HDO function (low tariff): the heater recognizes the low tariff in electrical network.
- Independent diagnostics of malfunctions, e.g. status of protective anodes
- Can be used as a classic heater
- Can be plugged into any socket without temporal or other control



Type of storage tank		OKHE 80 SMART	OKHE 100 SMART	OKHE 125 SMART	OKHE 160 SMART
Order number		140111601	140811601	140311601	140611601
Capacity	[l]	77	100	125	149
Max. weight of the empty water heater	[kg]	35	39	46	52
Insulation thickness	[mm]	to 80			
Thermal conductivity of the insulation	[W·m <sup>-1</sup> ·K <sup>-1</sup> ]	0,022			
Power consumption of the el. heating unit	[W]	2200			
Heating time from 10 °C to 60 °C	[h]	2	2,6	3,3	3,9
Electrical connection		1/N/PE ~ 230V/50Hz			
Recommended circuit breaker size	[A]	16			
Degree of protection		IP44			
Max. operating temp. / overpressure in tank	[ °C]/[bar]	80/6			
Energy efficiency class		B			C
Annual consumption	[kWh·a <sup>-1</sup> ]	1203	1217	1255	2487
Mixed water V40	[l]	138,70	165,41	231,10	242,83

Dimensions [mm]	A	B	C	D	E	F	H	K	R
OKHE 80/SMART	740	550	19	520	582	464	148	117	450
OKHE 100/SMART	885	550	19	520	727	605	148	117	450
OKHE 125/SMART	1050	550	19	520	757	638	283	117	450
OKHE 160/SMART	1235	550	19	520	1000	880	225	117	450



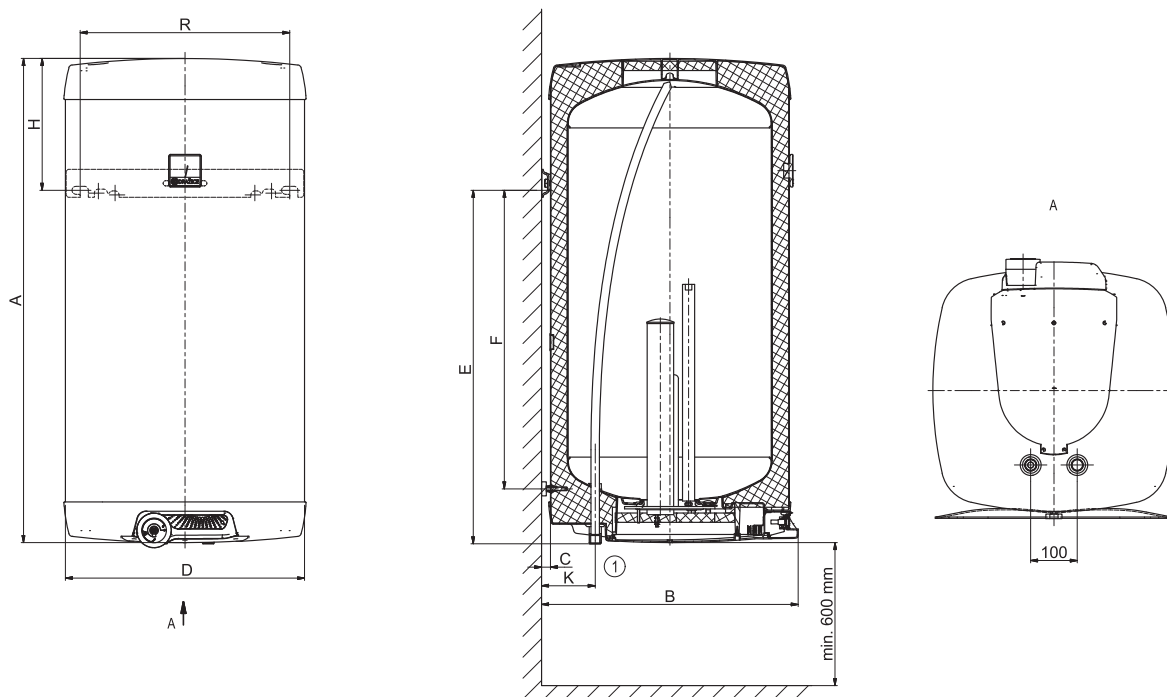
**OKHE****ELECTRIC WATER HEATERS****WALL-MOUNTED  
VERTICAL**

- Produced as wall-mounted and square-shaped – more interesting design
- With a 2.2 kW electrical heating unit
- 4 kW electrical heating unit can be installed upon request
- Above-average thickness of insulation in corners

Type of storage tank		OKHE 80	OKHE 100	OKHE 125	OKHE 160
Order number		140110801	140810801	140310801	140610801
Capacity	[l]	75	100	121	153
Max. weight of the empty water heater	[kg]	34	38	45	51
Insulation thickness	[mm]	to 80			
Thermal conductivity of the insulation	[W·m <sup>-1</sup> ·K <sup>-1</sup> ]	0,022			
Power consumption of the el. heating unit	[W]	2200			
Heating time from 10 °C to 60 °C	[h]	2	2,6	3,2	4
Electrical connection		1/N/PE ~ 230V/50Hz			
Recommended circuit breaker size	[A]	16			
Degree of protection		IP44			
Max. operating temp. / overpressure in tank	[ °C]/[bar]	80/6			
Energy efficiency class		C			
Annual consumption	[kWh·a <sup>-1</sup> ]	1391	1395	1353	2715
Mixed water V40	[l]	124,83	151,66	180,40	219,82

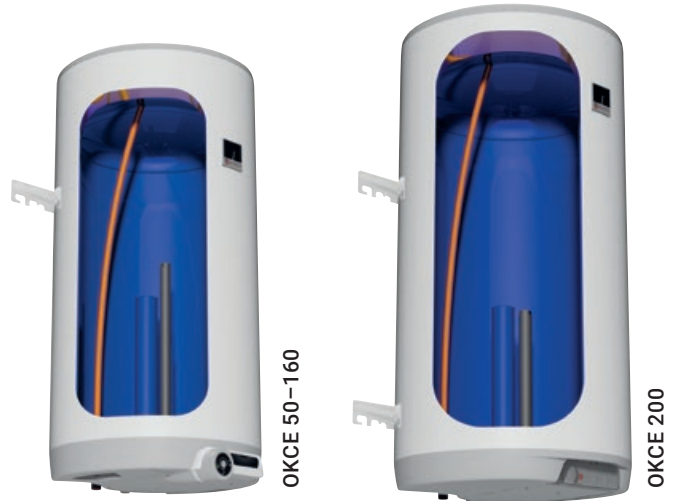
Dimensions [mm]	A	B	C	D	E	F	H	K	R
OKHE 80	740	550	19	520	582	464	148	117	450
OKHE 100	885	550	19	520	727	605	148	117	450
OKHE 125	1050	550	19	520	757	638	283	117	450
OKHE 160	1235	550	19	520	1000	880	225	117	450

SOCKET no. 1 3/4" outer





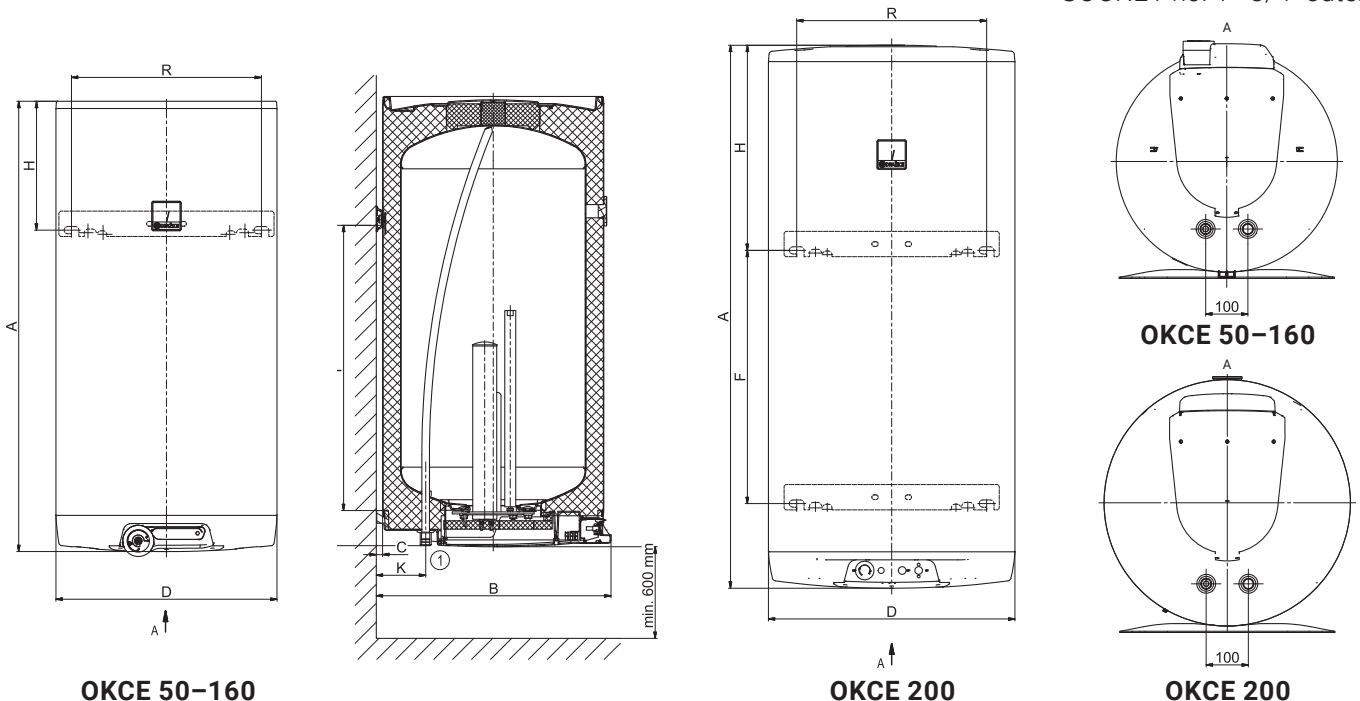
- Comes in wall-mounted version
- With a 2.2 kW electrical heating unit
- 4 kW electrical heating unit can be installed upon request, **not possible for OKCE 50**
- 1 wall-mounted console for models 50–160;  
2 wall-mounted consoles for model 200



Type of storage tank		OKCE 50	OKCE 80	OKCE 100	OKCE 125	OKCE 160	OKCE 200	
Order number		1105108101	1101108101	1108108101	1103108101	1106108101	1107108101	
Capacity	[l]	49	75	97	122	149	199	
Max. weight of the empty water heater	[kg]	28	32	39	43	49	66	
Insulation thickness	[mm]							42
Thermal conductivity of the insulation	[W·m <sup>-1</sup> ·K <sup>-1</sup> ]							0,022
Power consumption of the el. heating unit	[W]							2200
Heating time from 10 °C to 60 °C	[h]	1,3	2	2,6	3,2	3,9	5,3	
Electrical connection								1/N/PE ~ 230V/50Hz
Recommended circuit breaker size	[A]							16
Degree of protection								IP44
Max. operating temp. / overpressure in tank	[°C]/[bar]							80/6
Energy efficiency class								C
Annual consumption	[kWh·a <sup>-1</sup> ]	1365	1342	1362	1409	2622	4403	
Mixed water V40	[l]	80,84	138,70	165,41	231,10	242,83	331,26	

Dimensions [mm]	A	B	C	D	E	F	H	K	R
OKCE 50	585	562	14	524	440	369	135	116	450
OKCE 80	757	562	14	524	605	508	142	116	450
OKCE 100	902	562	14	524	725	654	167	116	450
OKCE 125	1067	562	14	524	760	682	297	116	450
OKCE 160	1255	562	14	524	1000	925	245	116	450
OKCE 200	1290	600	14	584	795	600	485	116	450

SOCKET no. 1 3/4" outer



# OKCE 2/6 kW, 2/4 kW

## ELECTRIC WATER HEATERS

### WALL-MOUNTED VERTICAL



- Comes in wall-mounted version
- With 2/6 kW or 2/4 kW heating modes
- Can use surplus electricity from solar panels
- 2/6 kW models are equipped with a rapid water heater
- Rapid heating can be activated remotely by an external switch by the 2/6 models



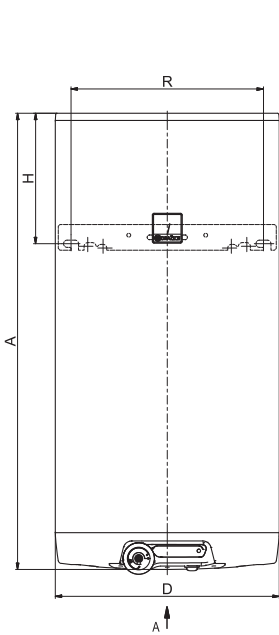
OKCE 125-160 2/6 kW



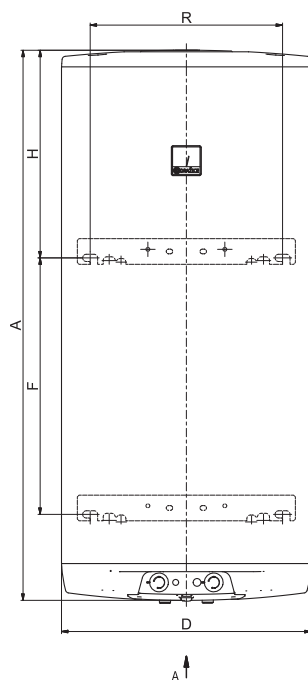
OKCE 200 2/6 (4) kW

Type of storage tank		OKCE 125 2/6 kW	OKCE 160 2/6 kW	OKCE 200 2/6 kW	OKCE 200 2/4 kW
Order number		1103108105	1106108105	110710805	110710802
Capacity	[l]	122	149	199	199
Max. weight of the empty water heater	[kg]	45	52	70	70
Insulation thickness	[mm]	42			
Thermal conductivity of the insulation	[W·m <sup>-1</sup> ·K <sup>-1</sup> ]	0,022			
Power consumption of the el. heating unit	[W]	2000/6000			2000/4000
Heating time from 10 °C to 60 °C	[h]	3,2/1,1	3,9/1,4	5,3/1,8	5,3/2,9
Electrical connection		3/N/PE ~ 400V/50Hz			1/N/PE ~ 230V/50Hz 3/N/PE ~ 400V/50Hz
Recommended circuit breaker size	[A]	3 × 16			1 × 16; 3 × 16
Degree of protection		IP44			
Max. operating temp. / overpressure in tank	[°C]/[bar]	80/6			
Energy efficiency class		C			
Annual consumption	[kWh·a <sup>-1</sup> ]	1409	2622	4403	4403
Mixed water V40 (for 2 kW)	[l]	231,10	242,83	331,26	331,26

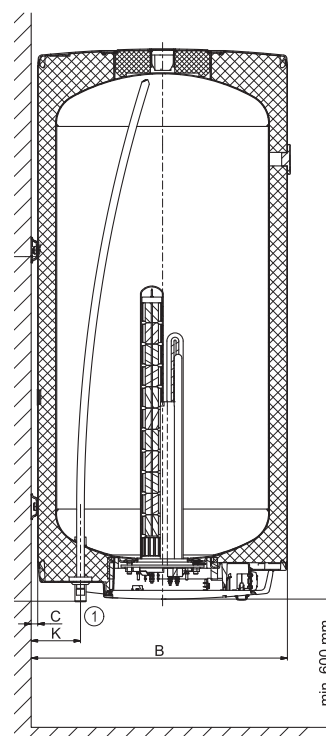
Dimensions [mm]	A	B	C	D	E	F	H	K	R
OKCE 125 2/6 kW	1067	555	14	524	760	682	297	116	450
OKCE 160 2/6 kW	1255	555	14	524	1000	925	245	116	450
OKCE 200 2/6 kW	1287	599	15	584	806	600	486	115	450
OKCE 200 2/4 kW	1287	599	15	584	806	600	486	115	450



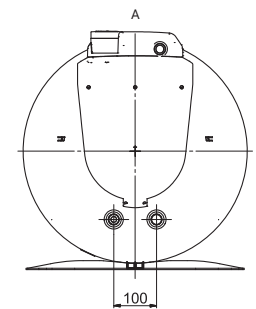
OKCE 125-160 2/6 kW



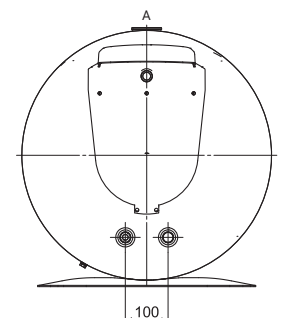
OKCE 200 2/6 (4) kW



SOCKET no. 1 3/4" outer



OKCE 125-160 2/6 kW



OKCE 200 2/6 (4) kW



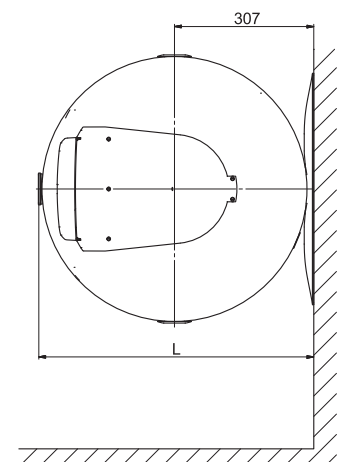
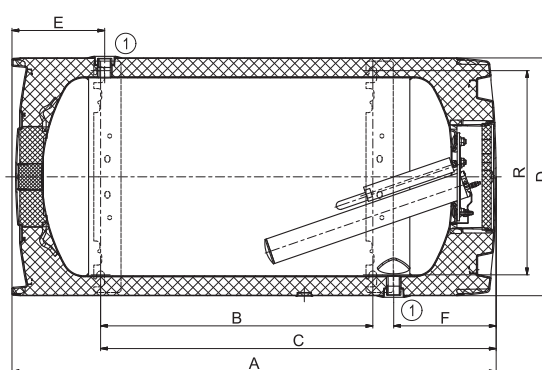
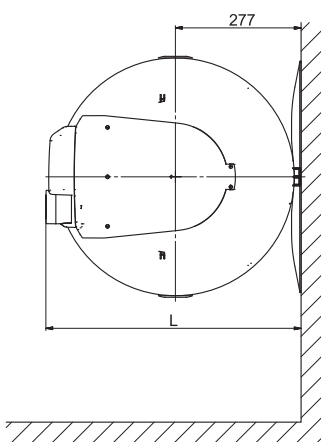
- Produced solely in right-hand design
- With a 2.2 kW electrical heating unit
- 4 kW electrical heating unit can be ordered  
– only for model 200
- Includes flexible wall hinge



Type of storage tank		OKCEV 100	OKCEV 125	OKCEV 160	OKCEV 200
Order number		1108308211	1103308211	1106308211	110730811
Capacity	[l]	98	123	148	201
Max. weight of the empty water heater	[kg]	42	48	54	71
Insulation thickness	[mm]	42			
Thermal conductivity of the insulation	[W·m <sup>-1</sup> ·K <sup>-1</sup> ]	0,022			
Power consumption of the el. heating unit	[W]	2200			
Heating time from 10 °C to 60 °C	[h]	2,6	3,3	3,9	5,3
Electrical connection		1/N/PE ~ 230V/50Hz			
Recommended circuit breaker size	[A]	16			
Degree of protection		IP42			
Max. operating temp. / overpressure in tank	[ °C]/[bar]	80/6			
Energy efficiency class		C			
Annual consumption	[kWh·a <sup>-1</sup> ]	1402	2614	2691	4324
Mixed water V40	[l]	164,98	195,75	244,59	301,93

Dimensions [mm]	A	B	C	D	E	F	L	R
<b>OKCEV 100</b>	902	435	707	524	204	226	563	450
<b>OKCEV 125</b>	1067	600	872	524	204	226	563	450
<b>OKCEV 160</b>	1255	785	1057	524	254	226	563	450
<b>OKCEV 200</b>	1290	785	1077	584	258	246	607	450

SOCKET no. 1 3/4" inner



**OKCEV 100-160**

**OKCEV 200**

**PTO****ELECTRIC WATER HEATERS****SMALL-PRESSURE  
FLOW HEATERS**

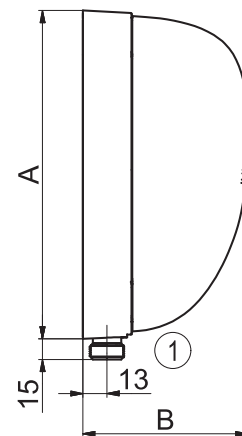
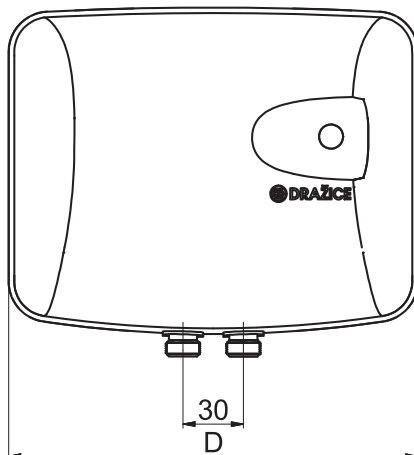
- With electrical heating units rated at 3,5 kW, 5 kW, 6,5 kW and 8 kW
- Use of a low-pressure water faucet is required
- Only for one consumption point



Type of storage tank		PTO 0733	PTO 1733	PTO 2733	PTO 3733
Order number		105213200	105213201	105213202	105213203
Weight	[kg]			1,6	
Power consumption of the el. heating unit	[W]	3500	5000	6500	8000
Heating	[h]	by means of through-flow			
Electrical connection		1/N/PE ~ 230 V/50 Hz		3/N/PE ~ 230 V/50 Hz	
Recommended circuit breaker size	[A]	20	25	3 x 16	
Degree of protection		IP25			
Energy efficiency class		A			
Annual consumption	[kWh·a <sup>-1</sup> ]	478	475	465	464

Dimensions [mm]	A	B	D
PTO 0733	161	80	204
PTO 1733	161	80	204
PTO 2733	175	80	204
PTO 3733	175	80	204

SOCKET no. 1 3/8" outer





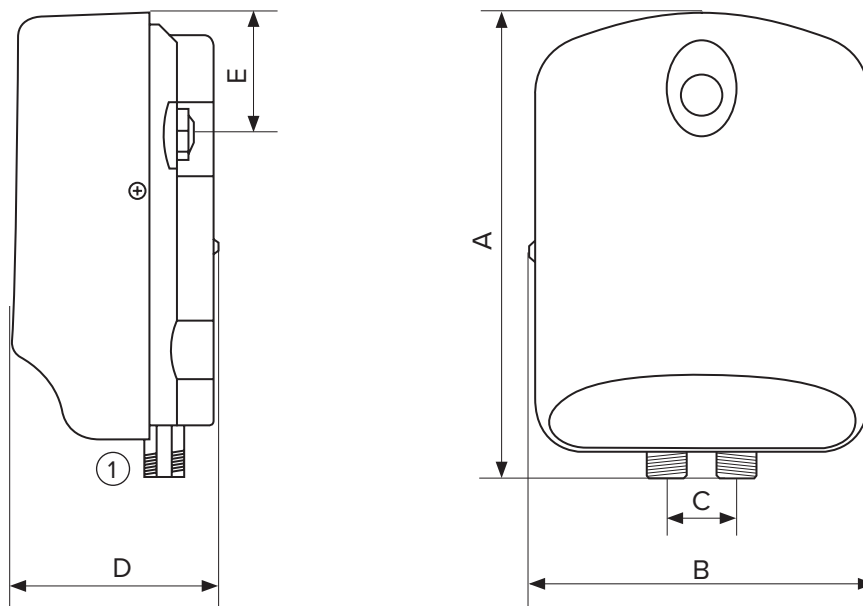
- With electrical heating units rated at 3,5 kW, 4,5 kW and 5,5 kW
- Use of a low-pressure water faucet is required
- Mechanical protection to prevent the heating element from overheating
- Only for one consumption point



Type of storage tank		HA-DR 135 (3,5 kW)	HA-DR 145 (4,5 kW)	HA-DR 155 (5,5 kW)
Order number		105213300	105213301	105213302
Weight	[kg]		0,7	
Power consumption of the el. heating unit	[W]	3500	4500	5500
Heating	[h]	by means of through-flow		
Electrical connection		1/N/PE ~ 230 V/50 Hz		
Recommended circuit breaker size	[A]	16	20	25
Degree of protection		IP24		
Energy efficiency class		A		
Annual consumption	[kWh·a <sup>-1</sup> ]	460	472	466

Dimensions [mm]	A	B	C	D	E
HA-DR 135 (3,5 kW)	191	153	30	87	59
HA-DR 145 (4,5 kW)	191	153	30	87	59
HA-DR 155 (5,5 kW)	191	153	30	87	59

SOCKET no. 1 3/8" outer





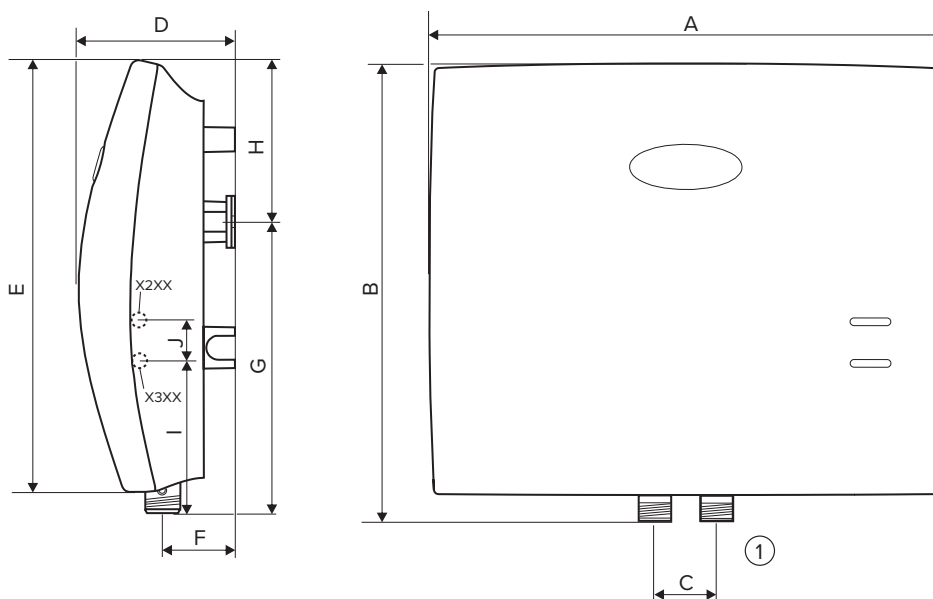
- Simple manual switching of water heating performance
- High comfort of water heating and significant electricity saving
- Possible connection to more consumption locations
- Assembly in the shower corner is not possible
- Power design: 4,5/7 kW; 5,5/9 kW; 5,5/11 kW



Type of storage tank		MX2207 - 4,5/7 kW	MX2209 - 5,5/9 kW	MX2211 - 5,5/11 kW
Order number		105213310	105213311	105213312
Weight	[kg]		1,7	
Power consumption of the el. heating unit	[W]	4500 + 2500	5500 + 3500	2 x 5500
Heating	[h]		by means of through-flow	
Electrical connection			2/N/PE ~ 230 V / 50 Hz	
Recommended circuit breaker size	[A]	3 x 20	3 x 25	3 x 25
Degree of protection			IP24	
Energy efficiency class			A	
Annual consumption	[kWh a <sup>-1</sup> ]	446	460	453

Dimensions [mm]	A	B	C	D	E	F	G	H	I	J
MX2207 - 4,5/7 kW	246	218	30	75	208	40	140	78+25	74	20
MX2209 - 5,5/9 kW	246	218	30	75	208	40	140	78+25	74	20
MX2211 - 5,5/11 kW	246	218	30	75	208	40	140	78+25	74	20

SOCKET no. 1 3/8" outer







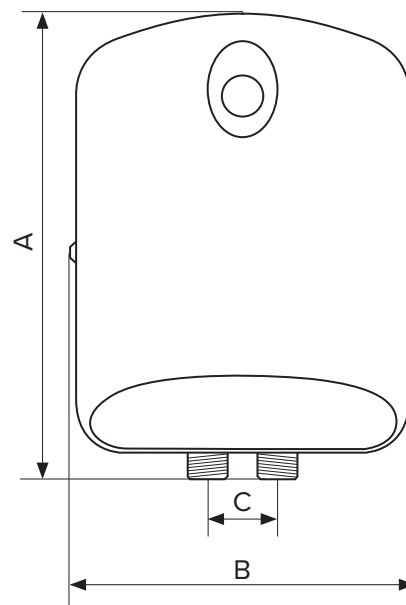
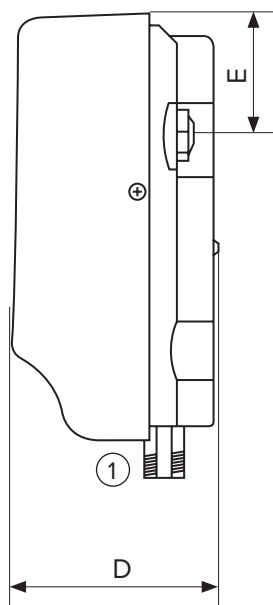
- With electrical heating units rated at 3.5 kW, 4.5 kW and 5 kW
- For common water tap
- Electrical protection to prevent the heating element from overheating
- For just one supply point



Type of storage tank		HA-DR T 135 (3,5 kW)	HA-DR T 145 (4,5 kW)	HA-DR T 155 (5,5 kW)
Order number		105213305	105213306	105213307
Weight	[kg]		0,8	
Power consumption of the el. heating unit	[W]	3500	4500	5500
Heating	[h]	by means of through-flow		
Electrical connection		1/N/PE ~ 230 V/50 Hz		
Recommended circuit breaker size	[A]	16	20	25
Degree of protection		IP24		
Energy efficiency class		A		
Annual consumption	[kWh·a <sup>-1</sup> ]	460	472	466

Dimensions [mm]	A	B	C	D	E
HA-DR T 135 (3,5 kW)	191	153	30	87	59
HA-DR T 145 (4,5 kW)	191	153	30	87	59
HA-DR T 155 (5,5 kW)	191	153	30	87	59

SOCKET no. 1 3/8" outer



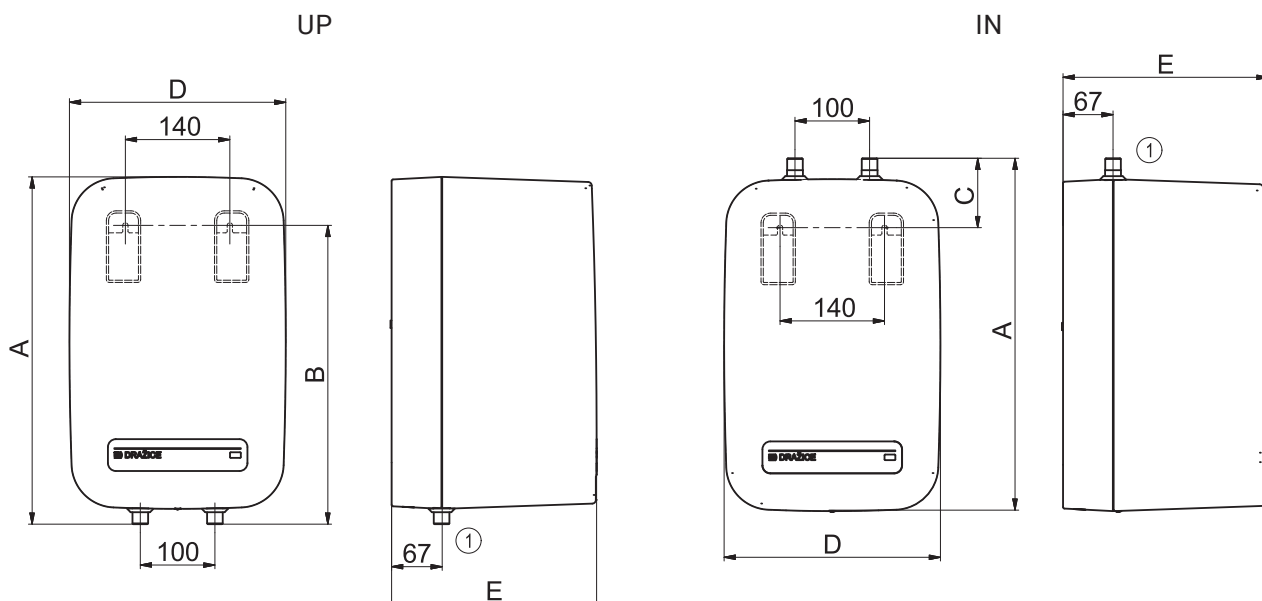
**TO 5,10****ELECTRIC WATER HEATERS****SMALL CAPACITY PRESSURE  
AND NON PRESSURE WATER HEATERS****NEW**

- Enamelled pressure vessel
- Electrical heating unit with power consumption of 1,5 kW
- Can be placed under (IN) or above (UP) the draw-off point
- For one or more consumption points

Type of storage tank		TO 5 UP	TO 5 IN	TO 10 UP	TO 10 IN
Order number		182310801	182310802	182410801	182410802
Capacity	[l]	4,6	4,6	9,6	9,6
Weight	[kg]	6		8	
Insulation thickness	[mm]	20			
Thermal conductivity of the insulation	[W·m <sup>-1</sup> ·K <sup>-1</sup> ]	0,022			
Power consumption of the el. heating unit	[W]	1500			
Heating time from 10 °C to 60 °C	[min]	13		25	
Electrical connection		1/N/PE ~ 230 V/50 Hz			
Recommended circuit breaker size	[A]	16			
Degree of protection		IPX5			
Max. operating temp. / overpressure in tank	[ °C]/[bar]	80/6			
Energy efficiency class		A			
Annual consumption	[kWh·a <sup>-1</sup> ]	497	509	525	525

Dimensions [mm]	A	B	C	D	E
TO 5 UP	330	265	-	290	275
TO 5 IN	338	-	93	290	275
TO 10 UP	465	400	-	290	275
TO 10 IN	473	-	93	290	275

SOCKET no. 1 1/2" outer



# TO 15

## ELECTRIC WATER HEATERS

### SMALL-CAPACITY PRESSURE TYPE



- Enamelled pressure vessel
- Electrical heating unit with power consumption of 2 kW
- Can be placed under (IN) or above (UP) the consumption point
- For one or more consumption points



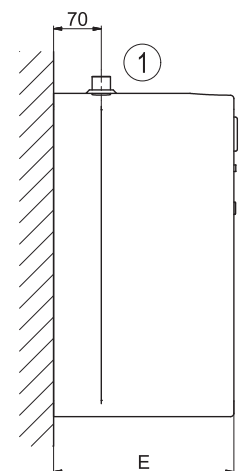
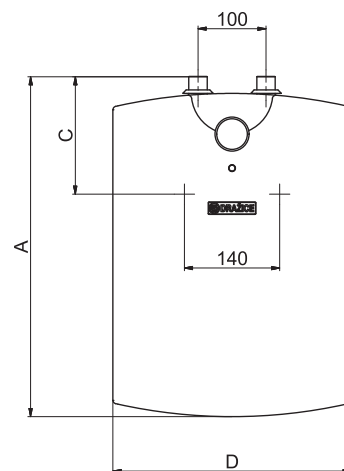
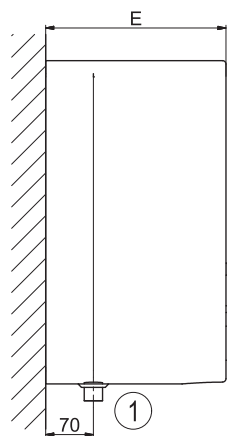
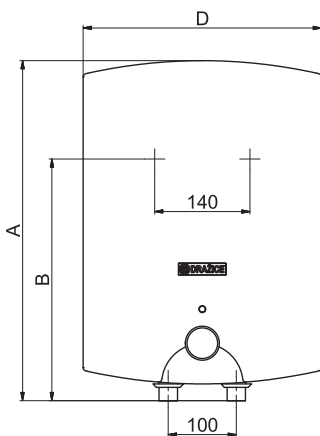
Type of storage tank		TO 15 UP	TO 15 IN
Order number		105313208	105313209
Capacity	[l]	14,8	14,9
Weight	[kg]		11
Insulation thickness	[mm]		30
Thermal conductivity of the insulation	[W·m <sup>-1</sup> ·K <sup>-1</sup> ]		0,025
Power consumption of the el. heating unit	[W]		2000
Heating time from 10 °C to 60 °C	[min]		29
Electrical connection			1/N/PE ~ 230 V/50 Hz
Recommended circuit breaker size	[A]		16
Degree of protection			IP24
Max. operating temp. / overpressure in tank	[°C]/[bar]		80/6
Energy efficiency class			A
Annual consumption	[kWh·a <sup>-1</sup> ]	517	523

Dimensions [mm]	A	B	C	D	E
TO 15 UP	495	410	-	350	310
TO 15 IN	495	-	130	350	310

SOCKET NO. 1 1/2" outer

UP

IN



# TO 20

## ELECTRIC WATER HEATERS

### SMALL-CAPACITY PRESSURE TYPE



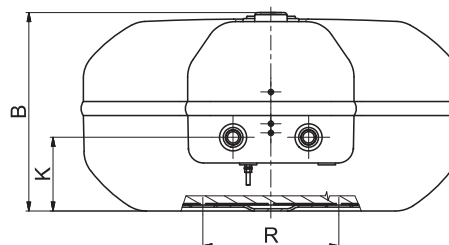
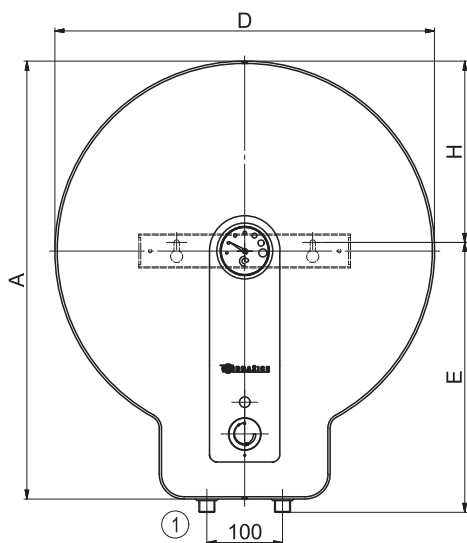
- Enamelled pressure vessel
- Electrical heating unit with power consumption of 2.2 kW
- The storage tank is of sufficient capacity for a shower or multiple washbasins



Type of storage tank		TO 20
Order number		120210501
Capacity	[l]	20
Max. weight of the empty water heater	[kg]	12
Insulation thickness	[mm]	20
Thermal conductivity of the insulation	[W·m <sup>-1</sup> ·K <sup>-1</sup> ]	0,022
Power consumption of the el. heating unit	[W]	2200
Heating time from 10 °C to 60 °C	[min]	30
Electrical connection		1/N/PE ~ 230 V/50 Hz
Recommended circuit breaker size	[A]	16
Degree of protection		IP44
Max. operating temp. / overpressure in tank	[°C]/[bar]	80/6
Energy efficiency class		A
Annual consumption	[kWh·a <sup>-1</sup> ]	485
Mixed water V40	[l]	26,14

Dimensions [mm]	A	B	D	E	H	K	R
TO 20	579	263	502	357	240	98	180

SOCKET NO. 1 1/2" outer



# CLOSE

## ELECTRIC WATER HEATERS

### SMALL-CAPACITY PRESSURE TYPE



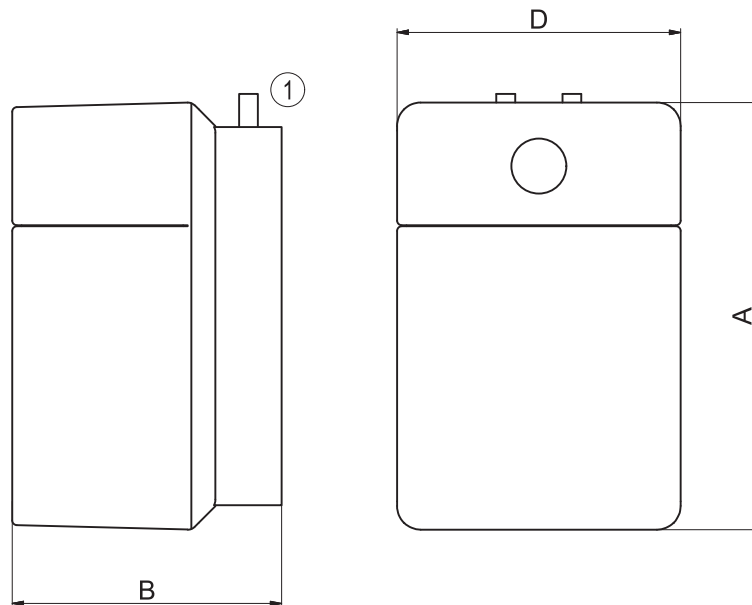
- Copper pressure vessel
- Electrical heating unit with power consumption of 2.2 kW
- Can be placed under (IN) or above (UP) the consumption point



Type of storage tank		CLOSE 10 UP	CLOSE 10 IN	CLOSE 15 UP	CLOSE 15 IN
Order number		105413201	105413200	105413202	105413203
Capacity	[l]		10,8		15,8
Weight	[kg]		6,5		7,5
Power consumption of the el. heating unit	[W]	2200			
Heating time from 10 °C to 60 °C	[min]	20			25
Electrical connection		1/N/PE ~ 230 V/50 Hz			
Recommended circuit breaker size	[A]	16			
Degree of protection		IP44			
Max. operating temp. / overpressure in tank	[ °C]/[bar]	80/8			
Energy efficiency class		A			
Annual consumption	[kWh·a <sup>-1</sup> ]	512	515	539	529
Mixed water V40	[l]	39	26	39	26

Dimensions [mm]	A	B	D
CLOSE 10	452	285	300
CLOSE 15	452	285	300

SOCKET NO. 1 3/8" outer





# **ELECTRIC WATER HEATERS AND STORAGE TANKS**

FLOOR-STANDING

FLOOR-STANDING

FOR INSTALATION ELECTRIC HEATING ELEMENT

# OKCE S/2,2 kW

## ELECTRIC WATER HEATERS AND STORAGE TANKS

### FLOOR-STANDING

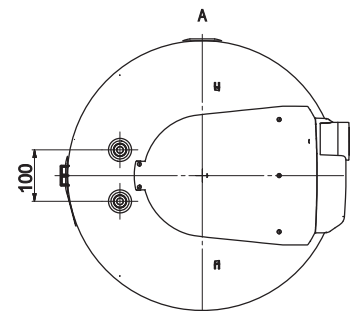
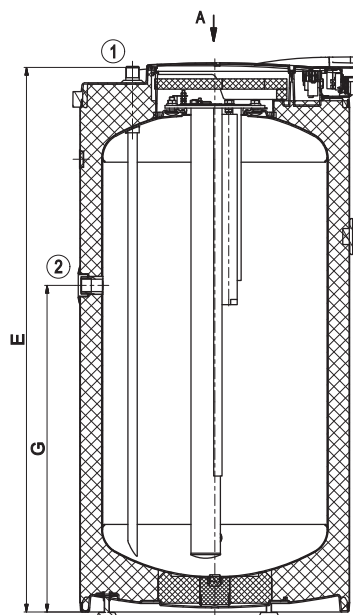
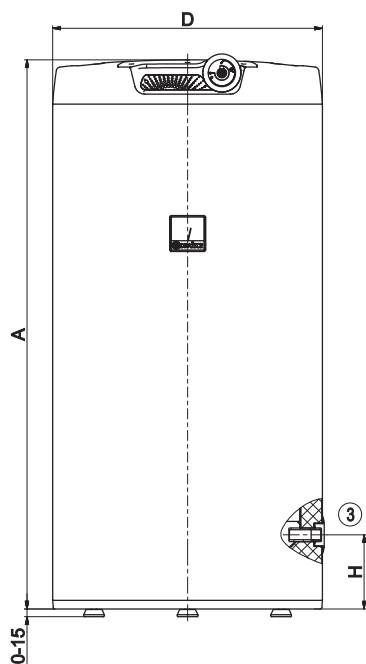


- All storage tanks have inlet/outlet for circulation connection
- Discharge outlet enclosed
- Equipped with electrical heating unit



Type of storage tank		OKCE 100S/2,2 kW	OKCE 125S/2,2 kW
Order number		1108111101	1103111101
Capacity	[l]	98	128
Max. weight of the empty water heater	[kg]	39	45
Insulation thickness	[mm]		42
Thermal conductivity of the insulation	[W·m <sup>-1</sup> ·K <sup>-1</sup> ]		0,022
Power consumption of the el. heating unit	[W]		2200
Heating time from 10 °C to 60 °C	[h]	2,6	3,4
Electrical connection		1/N/PE ~ 230V/50Hz	
Recommended circuit breaker size	[A]	16	
Degree of protection		IP42	
Max. operating temp. / overpressure in tank	[°C]/[bar]	80/6	
Energy efficiency class		C	
Annual consumption	[kWh·a <sup>-1</sup> ]	1349	2637
Mixed water V40	[l]	133,17	156,44

Dimensions [mm]	A	D	E	G	H
OKCE 100 S/2,2 kW	902	524	892	535	145
OKCE 125 S/2,2 kW	1067	524	1057	635	145



SOCKET no. 1 3/4" outer  
 SOCKET no. 2 3/4" inner  
 SOCKET no. 3 1/2" inner



# OKCE S

## ELECTRIC WATER HEATERS AND STORAGE TANKS

## FLOOR-STANDING FOR CONNECTING THE HEAT PUMP



- All storage tanks have inlet/outlet for circulation connection
- Installation of TPK 210-12 flanged heating unit required
- Storage tanks with capacities of 200-500 l have an inlet/outlet for TJ 6/4" heating unit
- RDU, REU heating units can be attached using a reduction flange
- Containers 750 and 1000 l can be fitted with SE-series heating units or with reduction flange with TPK and R heating unit
- Removable insulation for 750-1000 models



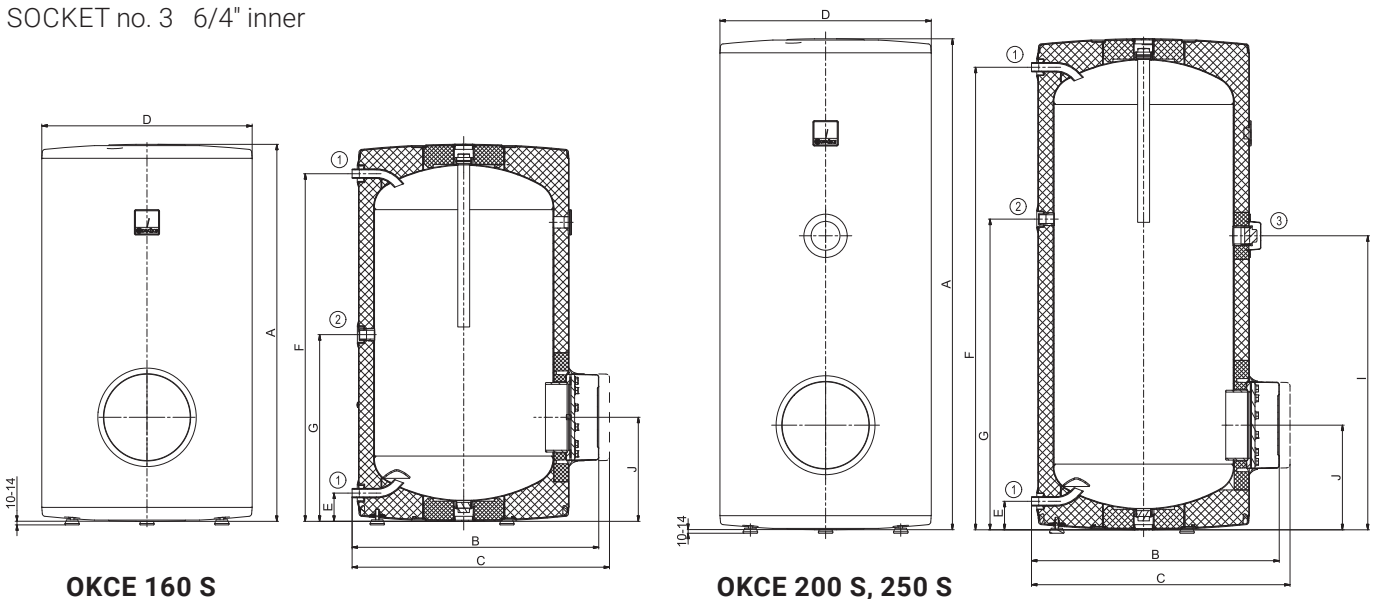
Type of storage tank		OKCE 160 S	OKCE 200 S	OKCE 250 S	OKCE 300 S
Order number		110611501	110711501	110911501	121011501
Capacity	[l]	157	210	250	300
Max. weight of the empty water heater	[kg]	52	72	76	80
Insulation thickness	[mm]		42		60
Thermal conductivity of the insulation	[W·m <sup>-1</sup> ·K <sup>-1</sup> ]		0,022		0,021
Power consumption of the el. heating unit	[W]		according to the type of accessories		
Heating time from 10 °C to 60 °C	[h]		according to the type of accessories		
Electrical connection			according to the type of accessories		
Recommended circuit breaker size	[A]		according to the type of accessories		
Degree of protection			according to the type of accessories		
Max. operating temp. / overpressure in tank	[°C]/[bar]		80/6		80/10
Energy efficiency class			C		
Annual consumption	[kWh·a <sup>-1</sup> ]	2612	4301	4215	4361
Mixed water V40	[l]	235,47	362,16	418,23	419,08

Dimensions [mm]	A	B	C	D	E	F	G	I	J
OKCE 160 S	1047	660	720	584	80	966	519	-	289
OKCE 200 S	1357	660	720	584	80	1280	859	813	289
OKCE 250 S	1537	660	720	584	80	1460	1059	813	289

SOCKET no. 1 3/4" outer

SOCKET no. 2 3/4" inner

SOCKET no. 3 6/4" inner

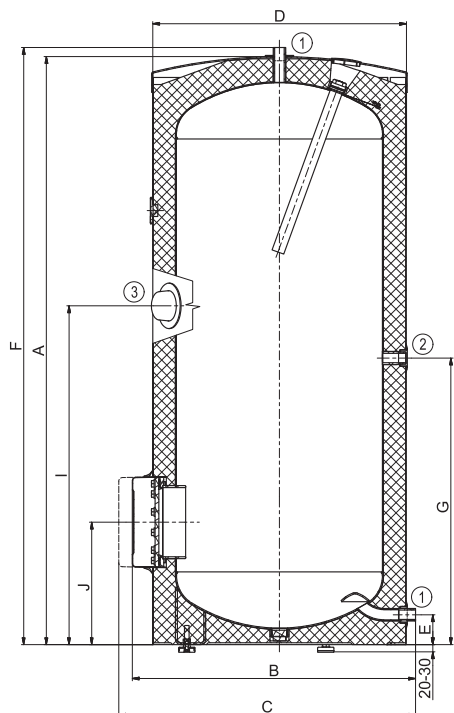


# OKCE S

## ELECTRIC WATER HEATERS AND STORAGE TANKS

## FLOOR-STANDING FOR CONNECTING THE HEAT PUMP

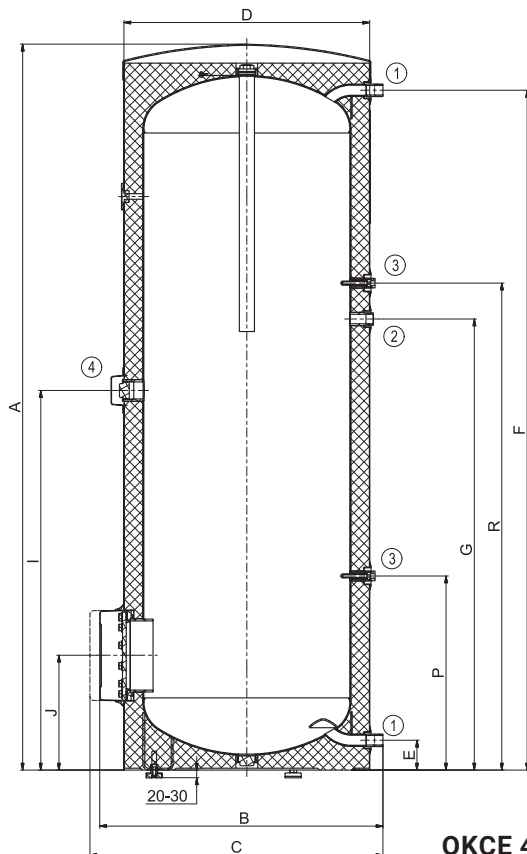
Dimensions [mm]	A	B	C	D	E	F	G	I	J
OKCE 300 S	1558	750	810	670	77	1579	760	895	325



OKCE 300 S

- SOCKET no. 1 1" outer
- SOCKET no. 2 3/4" inner
- SOCKET no. 3 6/4" inner

Dimensions [mm]	A	B	C	D	E	F	G	I	J	P	R
OKCE 400 S	1920	750	810	650	79	1799	1194	1005	304	514	1289
OKCE 500 S	1924	800	860	700	55	1790	1264	1040	287	380	1409



OKCE 400 S, 500 S

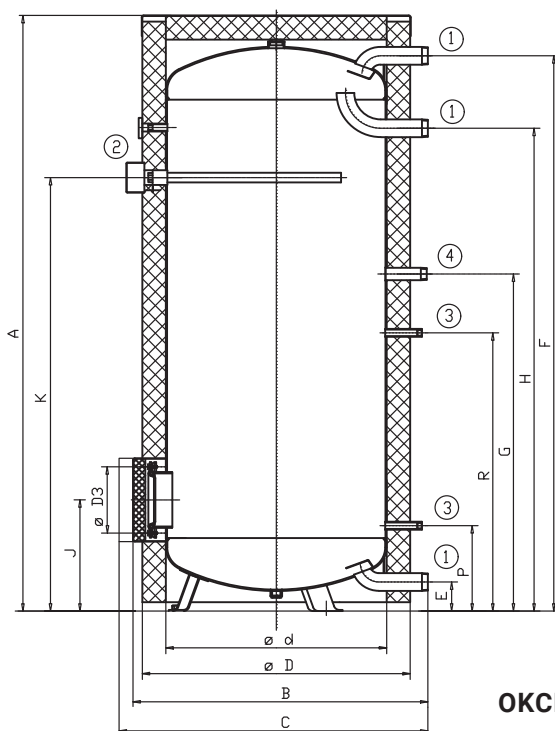
- SOCKET no. 1 1" outer
- SOCKET no. 2 3/4" inner
- SOCKET no. 3 1/2" inner
- SOCKET no. 4 6/4" inner



OKCE 750 S, 1000 S

Type of storage tank		OKCE 400 S	OKCE 500 S	OKCE 750 S	OKCE 1000 S
Order number		121411110	121311110	105513032	105513033
Capacity	[l]	389	462	750	969
Max. weight of the empty water heater	[kg]	97	106	158	206
Insulation thickness	[mm]	50	50	80	80
Thermal conductivity of the insulation	[W·m <sup>-1</sup> ·K <sup>-1</sup> ]	0,021		0,032	
Power consumption of the el. heating unit	[W]	according to the type of accessories			
Heating time from 10 °C to 60 °C	[h]	according to the type of accessories			
Electrical connection		according to the type of accessories			
Recommended circuit breaker size	[A]	according to the type of accessories			
Degree of protection		according to the type of accessories			
Max. operating temp. / overpressure in tank	[°C]/[bar]	80/10			
Energy efficiency class		C			
Annual consumption	[kWh·a <sup>-1</sup> ]	5568	5562	5095	5036
Mixed water V40	[l]	521,89	640,08	1277,49	1594,86

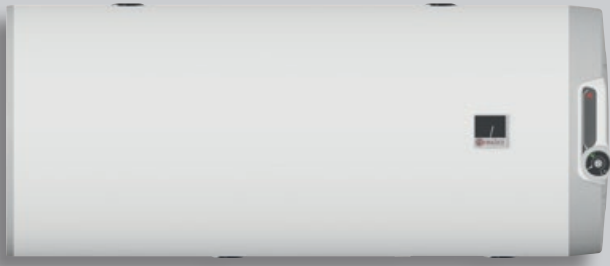
Dimensions [mm]	A	B	C	D	D3	E	F	G	H	J	K	P	R
<b>OKCE 750 S</b>	2030	1030	max. 1140	910	225	100	1893	1147	1642	382	1477	292	947
<b>OKCE 1000 S</b>	2050	1130	max. 1240	1010	225	100	1910	1155	1650	390	1515	300	955



- SOCKET no. 1 2" outer
- SOCKET no. 2 5/4" inner
- SOCKET no. 3 1/2" inner
- SOCKET no. 4 5/4" outer

**OKCE 750 S, 1000 S**





## **COMBINED WATER HEATERS**

WALL-MOUNTED VERTICAL

WALL-MOUNTED HORIZONTAL

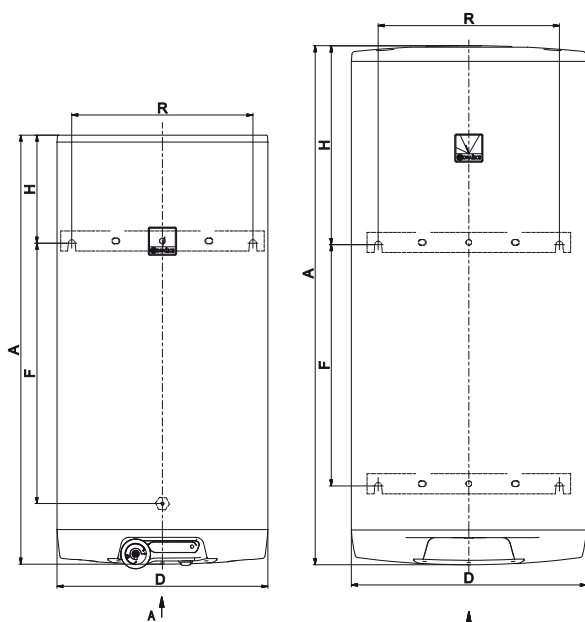


- Comes in wall-mounted version
- With a 2.2 kW electrical heating unit
- 1 wall-mounted console and support for models 80–125; 2 wall-mounted consoles for models 160–200



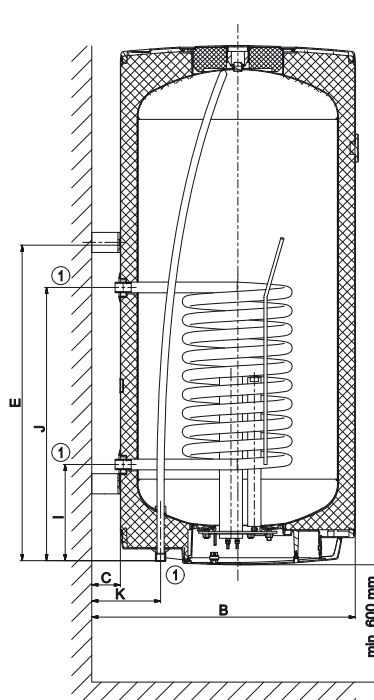
Type of storage tank		OKC 80	OKC 100	OKC 125	OKC 160	OKC 200
Order number		1101208101	1108208101	1103208101	1106208101	110720801
Capacity	[l]	73	93	117	145	194
Max. weight of the empty water heater	[kg]	40	50	55	62	79
Insulation thickness	[mm]	42				
Thermal conductivity of the insulation	[W·m <sup>-1</sup> ·K <sup>-1</sup> ]	0,022				
Power consumption of the el. heating unit	[W]	2200				
Heating time from 10 °C to 60 °C *	[h]	1,9	2,5	3,1	3,8	5,1
Electrical connection		1/N/PE ~ 230V/50Hz				
Recommended circuit breaker size	[A]	16				
Degree of protection		IP44				
Max. operating temp. / overpressure in tank	[ °C]/[bar]	80/6				
Heat transfer surface of the exchanger *	[m <sup>2</sup> ]	0,41				0,68
Capacity of the exchanger *	[l]	1,8				2,9
Max. operating temperature / overpressure in exchanger	[ °C]/[bar]	110/10				
Power of the exchanger at the 310 l at 80 °C *	[kW]	9				
Heating time by the exchanger from 10 °C to 60 °C *	[min]	50	48	55	67	86
Energy efficiency class		C				
Annual consumption	[kWh·a <sup>-1</sup> ]	1342	1362	1409	2622	4403
Mixed water V40	[l]	138,70	165,41	231,10	242,83	331,26

Dimensions [mm]	A	B	C	D	E	F	H	I	J	K	R
OKC 80	757	612	70	524	605	460	142	211	501	172	450
OKC 100	902	612	70	524	755	610	137	211	651	172	450
OKC 125	1067	612	70	524	755	610	302	211	651	172	450
OKC 160	1255	612	70	524	995	720	250	211	651	172	450
OKC 200	1290	655	70	584	790	600	490	239	679	172	450

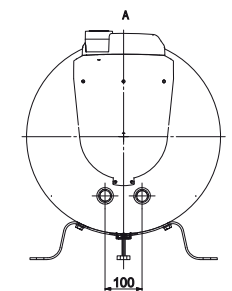


OKC 80-160

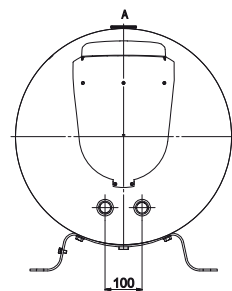
OKC 200



SOCKET no. 1 3/4" outer



OKC 80-160



OKC 200

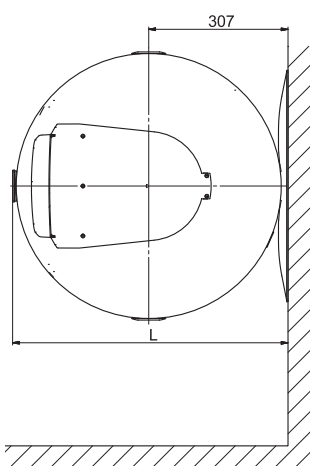


- With a 2.2 kW electrical heating unit
- Suitable for solid fuel boilers
- Now with right-side and left-side versions
- Includes flexible wall hinge

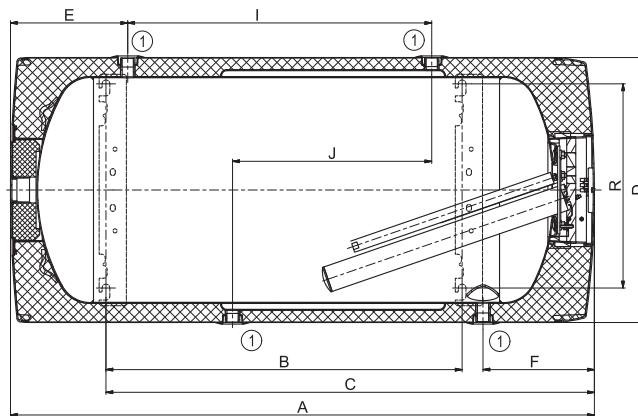


Type of storage tank		OKCV 125	OKCV 160	OKCV 200
Order number		1103408211 (right) 1103408212 (left)	1106408211 (right) 1106408212 (left)	1107408111 (right) 1107408112 (left)
Capacity	[l]	123	148	201
Max. weight of the empty water heater	[kg]	63	69	85
Insulation thickness	[mm]		42	
Thermal conductivity of the insulation	[W·m <sup>-1</sup> ·K <sup>-1</sup> ]		0,022	
Power consumption of the el. heating unit	[W]		2200	
Heating time from 10 °C to 60 °C *	[h]	3,3	3,9	5,3
Electrical connection		1/N/PE ~ 230V/50Hz		
Recommended circuit breaker size	[A]	16		
Degree of protection		IP42		
Max. operating temp. / overpressure in tank	[°C]/[bar]	80/6		
Heat transfer surface of the exchanger *	[m <sup>2</sup> ]		0,7	0,75
Capacity of the exchanger *	[l]		11	12
Max. operating temperature / overpressure in exchanger	[°C]/[bar]		110/4	
Power of the exchanger at the 310 l at 80 °C *	[kW]		10	11
Heating time by the exchanger from 10 °C to 60 °C *	[min]	43	53	72
Energy efficiency class		C		
Annual consumption	[kWh·a <sup>-1</sup> ]	2614	2691	4324
Mixed water V40	[l]	195,75	244,59	301,93

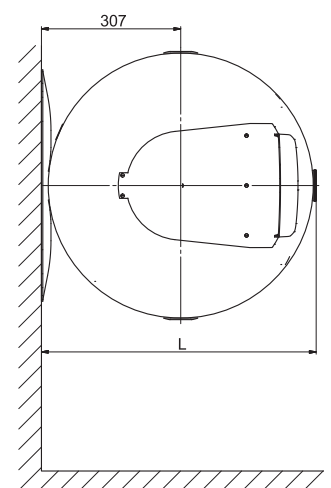
Dimensions [mm]	A	B	C	D	E	F	I	J	L	R
<b>OKCV 125</b>	1067	600	872	524	204	226	513	439	563	450
<b>OKCV 160</b>	1255	785	1057	524	254	226	649	439	563	450
<b>OKCV 200</b>	1290	785	1077	584	258	246	670	439	607	450



**OKCV 125-160**



SOCKET no. 1 3/4" inner



**OKCV 200**







## **HOT WATER STORAGE TANKS**

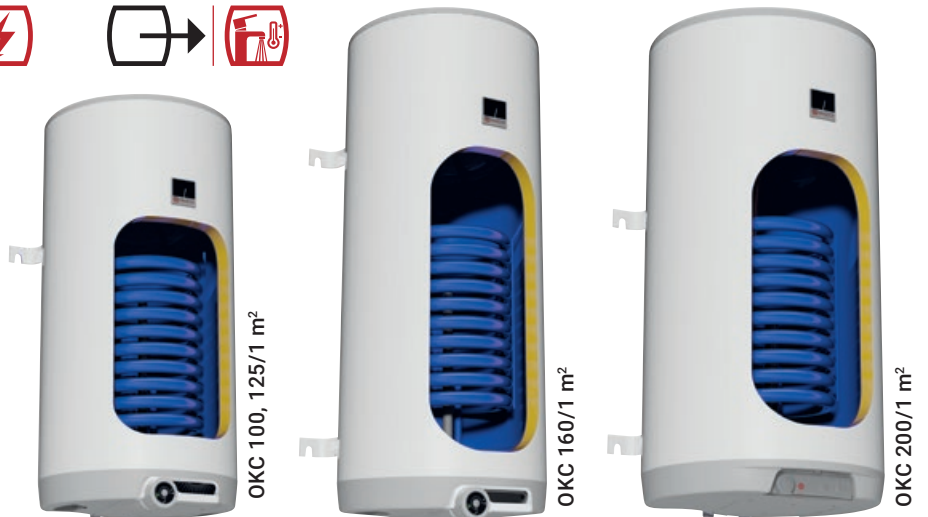
WALL-MOUNTED VERTICAL

FLOOR-STANDING

FLOOR-STANDING INDIRECT HEATING

**OKC/1m<sup>2</sup>****HOT WATER STORAGE TANKS****WALL-MOUNTED VERTICAL**

- Comes in wall-mounted version
- With a 2.2 kW electrical heating unit
- In version with 1 m<sup>2</sup> exchanger the storage tank is suitable for boilers using various fuels and for condensing boilers
- 1 wall-mounted console and support for models 100–125; 2 wall-mounted consoles for models 160–200
- Equipped with inlet/outlet for circulation



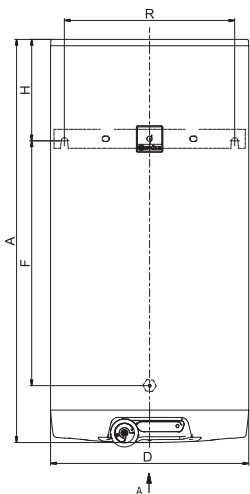
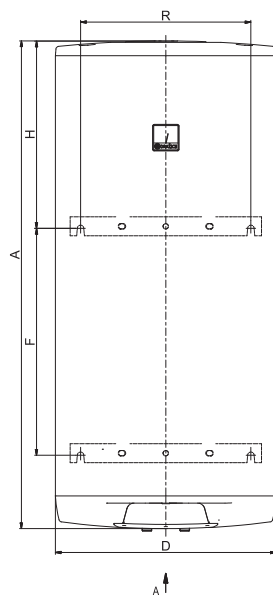
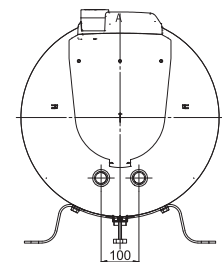
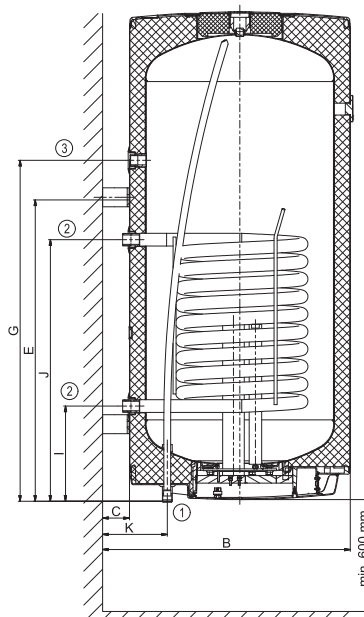
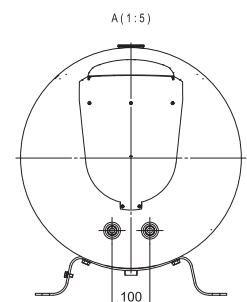
Type of storage tank		OKC 100/1 m <sup>2</sup>	OKC 125/1 m <sup>2</sup>	OKC 160/1 m <sup>2</sup>	OKC 200/1 m <sup>2</sup>
Order number		1108209101	1103209101	1106209101	110720901
Capacity	[l]	95	120	147	195
Max. weight of the empty water heater	[kg]	57	64	71	85
Insulation thickness	[mm]	42			
Thermal conductivity of the insulation	[W·m <sup>-1</sup> ·K <sup>-1</sup> ]	0,022			
Power consumption of the el. heating unit	[W]	2200			
Heating time from 10 °C to 60 °C *	[h]	2,5	3,2	3,9	5,2
Electrical connection		1/N/PE ~ 230V/50Hz			
Recommended circuit breaker size	[A]	16			
Degree of protection		IP44			
Max. operating temp. / overpressure in tank	[ °C]/[bar]	80/6			
Heat transfer surface of the exchanger *	[m <sup>2</sup> ]	1,08			
Capacity of the exchanger *	[l]	7,1			
Max. operating temperature / overpressure in exchanger	[ °C]/[bar]	110/10			
Power of the exchanger at the 720 l at 80 °C	[kW]	24			
Heating time by the exchanger from 10 °C to 60 °C *	[min]	14	17	21	28
Energy efficiency class		B		C	
Static loss	[W]	47	57	67	72

Dimensions [mm]	A	B	C	D	E	F	G	H	I	J	K	R
OKC 100/1 m <sup>2</sup>	902	612	70	524	622	478	550	270	263	703	172	450
OKC 125/1 m <sup>2</sup>	1067	612	70	524	789	645	550	268	263	703	172	450
OKC 160/1 m <sup>2</sup>	1255	612	70	524	991	815	830	254	263	703	172	450
OKC 200/1 m <sup>2</sup>	1290	655	70	584	790	600	889	490	239	679	172	450

SOCKET no. 1 3/4" outer

SOCKET no. 2 1" outer

SOCKET no. 3 3/4" inner

OKC 100–160/1m<sup>2</sup>OKC 200/1m<sup>2</sup>OKC 100–160/1m<sup>2</sup>OKC 200/1m<sup>2</sup>

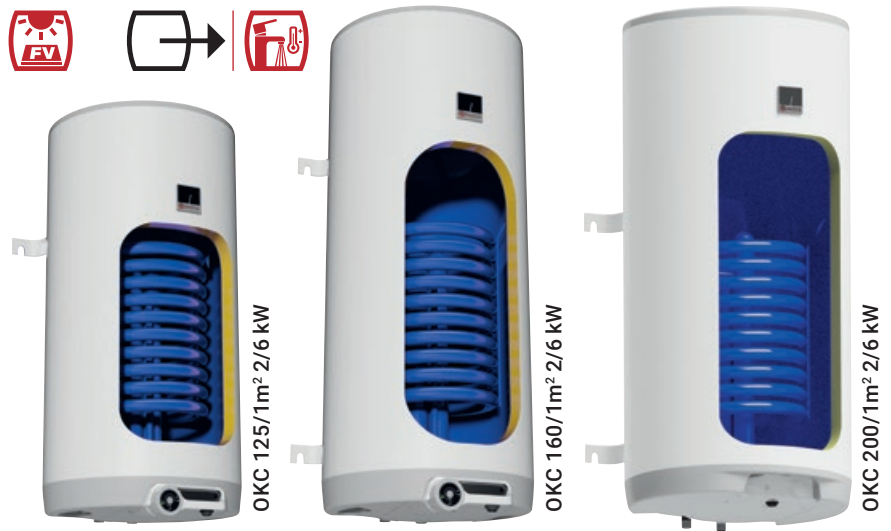
# OKC/1m<sup>2</sup> 2/6 kW

## HOT WATER STORAGE TANKS

## WALL-MOUNTED VERTICAL



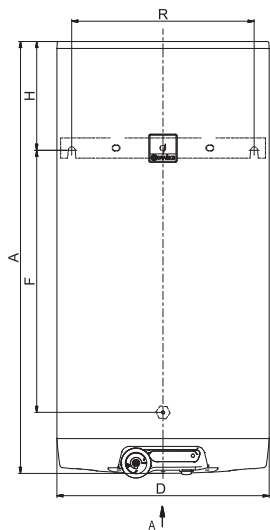
- Comes in wall-mounted version
- With 2/6 kW heating modes
- Equipped with a rapid water heater
- Can use surplus electricity from solar panels
- Rapid heating can be activated remotely by an external switch
- 1 wall-mounted console and support for model 125; 2 wall-mounted consoles for models 160–200



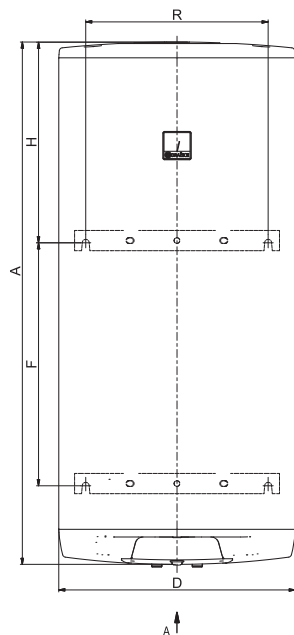
Type of storage tank		OKC 125/1m <sup>2</sup> 2/6 kW	OKC 160/1m <sup>2</sup> 2/6 kW	OKC 200/1m <sup>2</sup> 2/6 kW
Order number		1103209105	1106209105	110720905
Capacity	[l]	120	147	195
Max. weight of the empty water heater	[kg]	64	71	88
Insulation thickness	[mm]		42	
Thermal conductivity of the insulation	[W·m <sup>-1</sup> ·K <sup>-1</sup> ]		0,022	
Power consumption of the el. heating unit	[W]		2000/6000	
Heating time from 10 °C to 60 °C *	[h]	3,2/1,1	3,9/1,3	5,2/1,7
Electrical connection			3/N/PE ~ 400V/50Hz	
Recommended circuit breaker size	[A]		3 × 16	
Degree of protection			IP44	
Max. operating temp. / overpressure in tank	[ °C]/[bar]		80/6	
Heat transfer surface of the exchanger *	[m <sup>2</sup> ]		1,08	
Capacity of the exchanger *	[l]		7,1	
Max. operating temperature / overpressure in exchanger	[ °C]/[bar]		110/10	
Power of the exchanger at the 720 l at 80 °C	[kW]		24	
Heating time by the exchanger from 10 °C to 60 °C *	[min]	17	21	28
Energy efficiency class			C	
Static loss	[W]	57	67	72

Dimensions [mm]	A	B	C	D	E	F	G	H	I	J	K	R
OKC 125/1m <sup>2</sup> 2/6 kW	1067	612	70	524	789	645	550	268	263	703	172	450
OKC 160/1m <sup>2</sup> 2/6 kW	1255	612	70	524	991	815	830	254	263	703	172	450
OKC 200/1m <sup>2</sup> 2/6 kW	1290	655	70	584	790	600	889	490	239	679	172	450

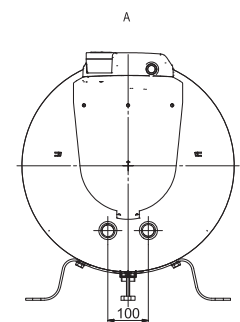
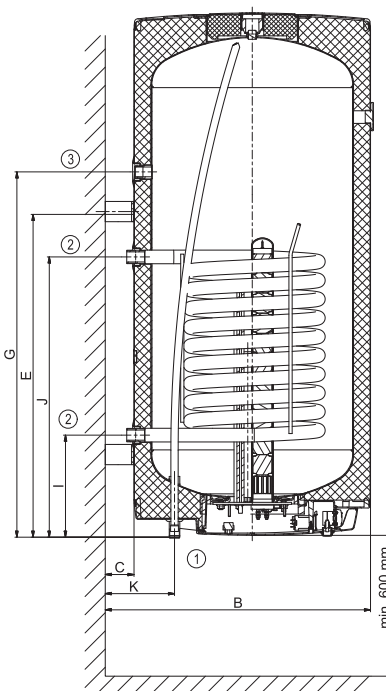
SOCKET no. 1 3/4" outer  
 SOCKET no. 2 1" outer  
 SOCKET no. 3 3/4" inner



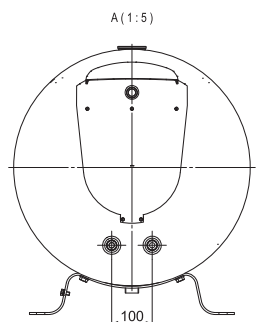
OKC 125–160/1m<sup>2</sup> 2/6 kW



OKC 200/1m<sup>2</sup> 2/6 kW



OKC 125–160/1m<sup>2</sup> 2/6 kW



OKC 200/1m<sup>2</sup> 2/6 kW

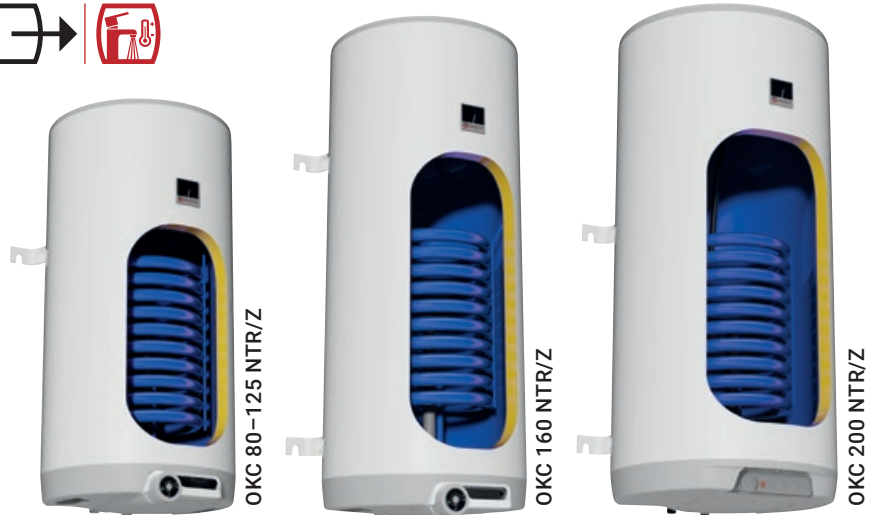
# OKC NTR/Z

## HOT WATER STORAGE TANKS

## WALL-MOUNTED VERTICAL



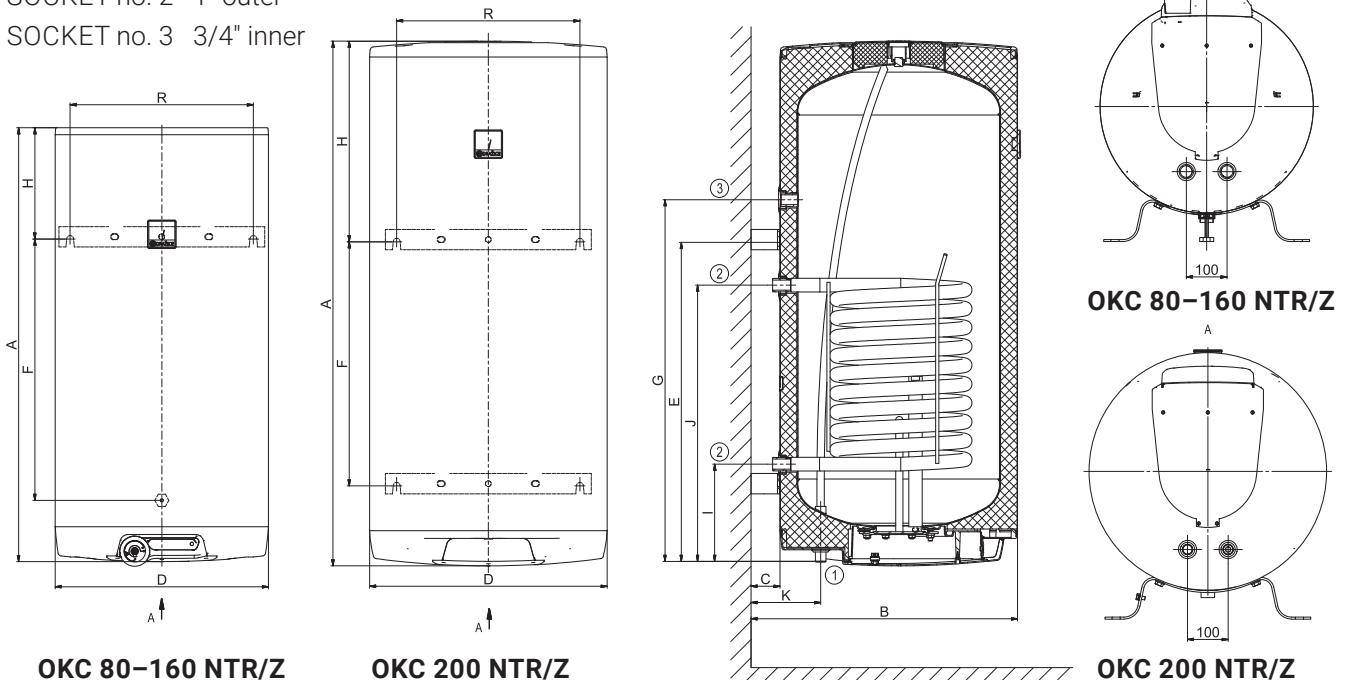
- Comes in wall-mounted version
- Model 80 has 0.41 m<sup>2</sup> exchanger and other models have 1 m<sup>2</sup> exchanger
- Suitable for boilers using various fuels and for condensing boilers
- 1 wall-mounted console and support for models 80–125; 2 wall-mounted consoles for models 160–200



Type of storage tank		OKC 80 NTR/Z	OKC 100 NTR/Z	OKC 125 NTR/Z	OKC 160 NTR/Z	OKC 200 NTR/Z
Order number		1101508101	1108508101	1103508101	1106508101	110750801
Capacity	[l]	76	95	120	148	196
Max. weight of the empty water heater	[kg]	38	56	61	70	84
Insulation thickness	[mm]	42				
Thermal conductivity of the insulation	[W·m <sup>-1</sup> ·K <sup>-1</sup> ]	0,022				
Electrical connection		1/N/PE ~ 230V/50Hz				
Degree of protection		IP44				
Max. operating temp. / overpressure in tank	[ °C]/[bar]	80/6				
Heat transfer surface of the exchanger *	[m <sup>2</sup> ]	0,41				1,08
Capacity of the exchanger *	[l]	1,8				7,1
Max. operating temperature / overpressure in exchanger	[ °C]/[bar]	110/10				
Power of the exchanger at the 720 l at 80 °C	[kW]	9				24
Heating time by the exchanger from 10 °C to 60 °C *	[min]	29	14	17	22	28
Energy efficiency class		B			C	
Static loss	[W]	40	47	57	67	72

Dimensions [mm]	A	B	C	D	E	F	G	H	I	J	K	R
OKC 80 NTR/Z	757	612	70	524	605	460	-	142	211	501	172	450
OKC 100 NTR/Z	902	612	70	524	622	478	550	270	263	703	172	450
OKC 125 NTR/Z	1067	612	70	524	789	645	550	268	263	703	172	450
OKC 160 NTR/Z	1255	612	70	524	991	815	830	254	263	703	172	450
OKC 200 NTR/Z	1290	655	70	584	784	600	889	496	239	679	172	450

- SOCKET no. 1 3/4" outer
- SOCKET no. 2 1" outer
- SOCKET no. 3 3/4" inner



# OKCE NTR/2,2 kW

## HOT WATER STORAGE TANKS

## FLOOR-STANDING



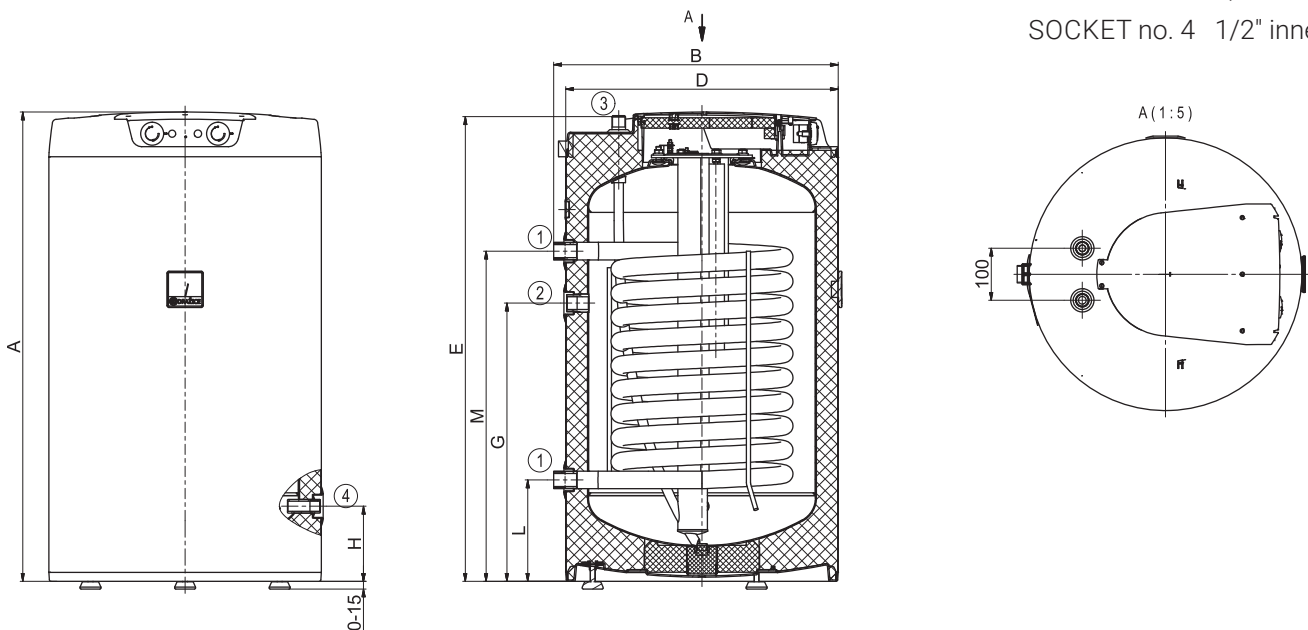
- Storage tanks have inlet/outlet for circulation connection
- With a single-phase 2.2 kW electrical heating unit
- Storage tanks have discharge outlet enclosed



Type of storage tank		OKCE 100 NTR/2,2 kW	OKCE 125 NTR/2,2 kW
Order number		1108701101	1103701101
Capacity	[l]	85	110
Max. weight of the empty water heater	[kg]	58	70
Insulation thickness	[mm]		42
Thermal conductivity of the insulation	[W·m <sup>-1</sup> ·K <sup>-1</sup> ]		0,022
Power consumption of the el. heating unit	[W]		2200
Heating time from 10 °C to 60 °C *	[h]	2,2	2,9
Electrical connection		1/N/PE ~ 230V/50Hz	
Recommended circuit breaker size	[A]	16	
Degree of protection		IP42	
Max. operating temp. / overpressure in tank	[ °C]/[bar]	80/6	
Heat transfer surface of the exchanger *	[m <sup>2</sup> ]	1,08	1,45
Capacity of the exchanger*	[l]	7,1	9,5
Max. operating temperature / overpressure in exchanger	[ °C]/[bar]	110/10	
Power of the exchanger at the 720 l at 80 °C	[kW]	24	32
Heating time by the exchanger from 10 °C to 60 °C *	[min]	13	12
Energy efficiency class		B	C
Static loss	[W]	42	54

Dimensions [mm]	A	B	D	E	G	H	L	M
OKCE 100 NTR/2,2 kW	902	545	524	892	535	145	195	635
OKCE 125 NTR/2,2 kW	1067	545	524	1057	635	145	195	765

- SOCKET no. 1 1" outer
- SOCKET no. 2 3/4" inner
- SOCKET no. 3 3/4" outer
- SOCKET no. 4 1/2" inner



# OKC NTR(R)/BP

## HOT WATER STORAGE TANKS

### FLOOR-STANDING INDIRECT HEATING



- Storage tank has a side flange used as an inspection hole
- TPK electrical heating unit can be installed in side flange
- TJ 6/4" electrical heating unit can be installed for models 200–1000



OKC 160 NTR/BP

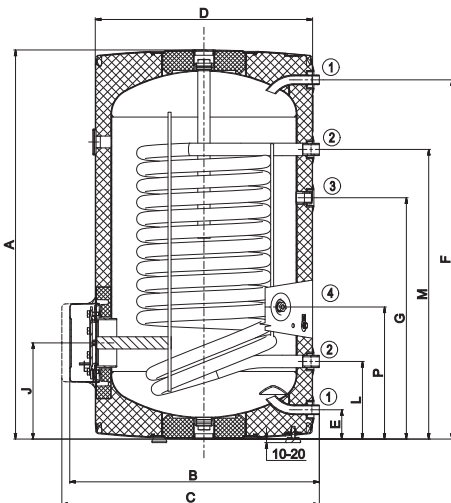


OKC 200, 250 NTR/BP

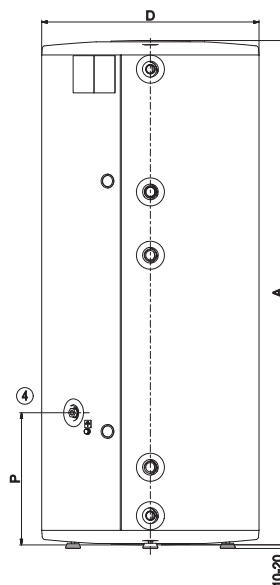
Type of storage tank		OKC 160 NTR/BP	OKC 200 NTR(R)/BP	OKC 250 NTR(R)/BP	OKC 300 NTR(R)/BP
Order number		110670101	110770101 (110790101)	110970101 (110990101)	121070101 (121090101)
Capacity	[l]	148	208 (200)	242 (234)	296 (285)
Max. weight of the empty water heater	[kg]	76	92 (103)	94 (107)	108 (126)
Insulation thickness	[mm]		42		60
Thermal conductivity of the insulation	[W·m <sup>-1</sup> ·K <sup>-1</sup> ]		0,022		0,021
Max. operating temp. / overpressure in tank	[°C]/[bar]		80/6		80/10
Heat transfer surface of the exchanger * (top/bottom)	[m <sup>2</sup> ]	1,45	1,45 (1/1)	1,45 (1/1)	1,5 (1/1,5)
Capacity of the exchanger * (top/bottom)	[l]	9,5	9,5 (7/7)	9,5 (7/9,5)	10,5 (7/10,5)
Max. operating temperature / overpressure in exchanger	[°C]/[bar]		110/10		
Power of the exchanger at the 720 l at 80 °C	[kW]	32	32 (24/24)	32 (24/32)	35 (24/35)
Heating time by the exchanger from 10 °C to 60 °C *	[min]	16	23 (14/14)	26 (14/17)	30 (16/24)
Energy efficiency class			C		
Static loss	[W]	75	82	87	83

Dimensions [mm]	A	B	C	D	E	F	G	I	J	L	M	P
OKC 160 NTR/BP	1047	660	705	584	80	966	649	-	259	209	779	355
OKC 200 NTR/BP	1357	660	705	584	80	1280	949	813	259	209	779	355
OKC 250 NTR/BP	1537	660	705	584	80	1460	1060	813	259	209	779	355

- SOCKET no. 1 3/4" outer
- SOCKET no. 2 1" outer
- SOCKET no. 3 3/4" inner
- SOCKET no. 4 1/2" inner
- SOCKET no. 5 6/4" inner



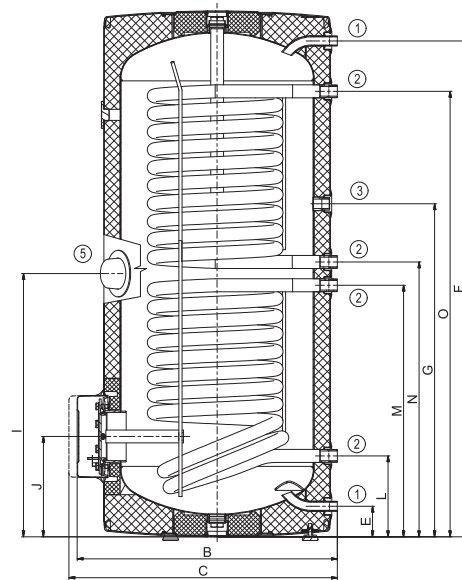
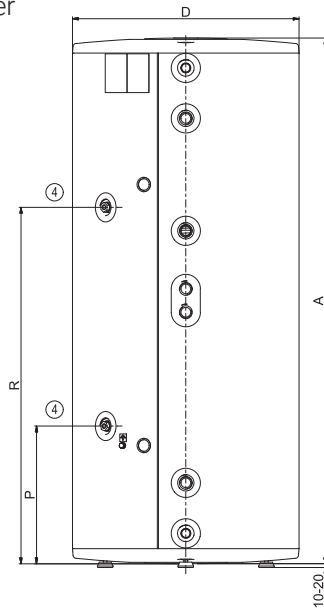
OKC 160 NTR/BP



OKC 200, 250 NTR/BP

Dimensions [mm]	A	B	C	D	E	F	G	I	J	L	M	N	O	P	R
<b>OKC 200 NTRR/BP</b>	1357	660	705	584	80	1280	859	680	259	209	649	709	1149	355	920
<b>OKC 250 NTRR/BP</b>	1537	660	705	584	80	1460	1060	680	259	209	649	889	1329	355	1100

- SOCKET no. 1 3/4" outer
- SOCKET no. 2 1" outer
- SOCKET no. 3 3/4" inner
- SOCKET no. 4 1/2" inner
- SOCKET no. 5 6/4" inner



**OKC 200, 250 NTRR/BP**

# OKC NTR(R)/BP

## HOT WATER STORAGE TANKS

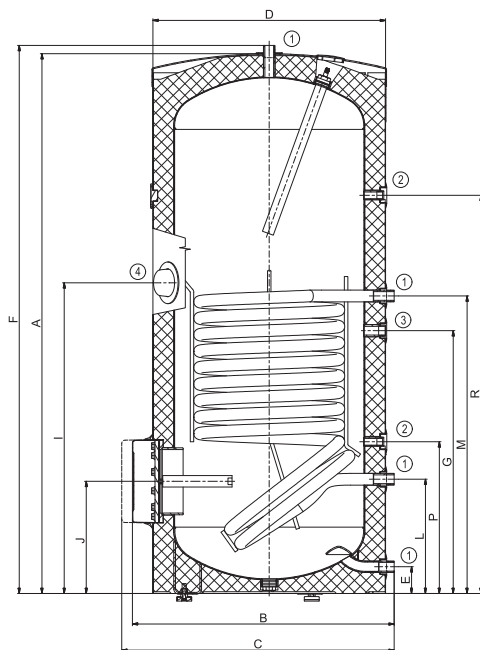
### FLOOR-STANDING INDIRECT HEATING



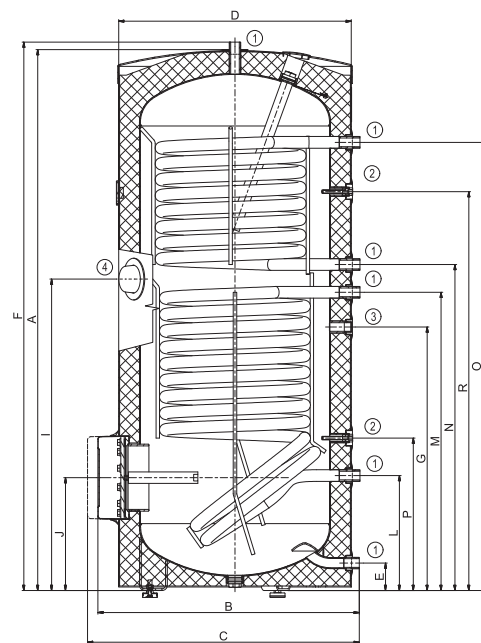
Dimensions [mm]	A	B	C	D	E	F	G	I	J	L	M	P	R
OKC 300 NTR/BP	1558	750	810	670	77	1579	760	895	325	330	858	438	1148

Dimensions [mm]	A	B	C	D	E	F	G	I	J	L	M	N	O	P	R
OKC 300 NTRR/BP	1558	750	810	670	77	1579	760	895	325	330	858	939	1291	438	1148

- SOCKET no. 1 1" outer
- SOCKET no. 2 1/2" inner
- SOCKET no. 3 3/4" inner
- SOCKET no. 4 6/4" inner



OKC 300 NTR/BP



OKC 300 NTRR/BP



# OKC NTR(R)/BP

## HOT WATER STORAGE TANKS

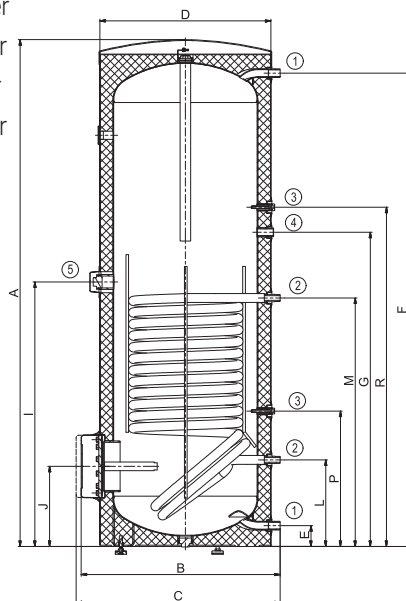
### FLOOR-STANDING INDIRECT HEATING



Type of storage tank		OKC 400 NTR(R)/BP	OKC 500 NTR(R)/BP	OKC 750 NTR(R)/BP	OKC 1000 NTR(R)/BP
Order number		121470101 (121490101)	121370101 (121390101)	105513053 (105513054)	105513055 (105513056)
Capacity	[l]	373 (363)	447 (433)	725 (710)	945 (930)
Max. weight of the empty water heater	[kg]	139 (153)	149 (158)	208 (197)	260 (248)
Insulation thickness	[mm]		50		80
Thermal conductivity of the insulation	[W·m <sup>-1</sup> ·K <sup>-1</sup> ]		0,021		0,032
Max. operating temp. / overpressure in tank	[°C]/[bar]		80/10		95/10
Heat transfer surface of the exchanger * (top/bottom)	[m <sup>2</sup> ]	2 (1/2)	2 (1,4/2)	3,7 (1,17/1,93)	4,5 (1,12/2,45)
Capacity of the exchanger * (top/bottom)	[l]	14 (7/14)	14 (9/14)	32,5 (8,2/13,5)	39 (7,9/17,1)
Max. operating temperature / overpressure in exchanger	[°C]/[bar]			110/10	
Power of the exchanger at the 720 l at 80 °C	[kW]	58 (26/58)	58 (37/58)	99 (33/60)	110 (32/76)
Heating time by the exchanger from 10 °C to 60 °C *	[min]	22 (22/23)	26 (26/27)	24 (28/37)	26 (37/43)
Energy efficiency class				C	
Static loss	[W]	99 (102)	110 (111)	127 (129)	140 (142)

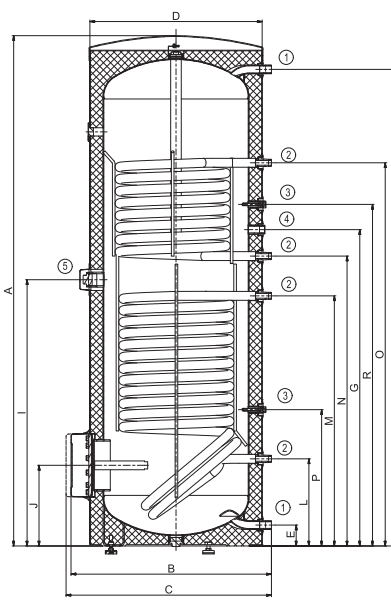
Dimensions [mm]	A	B	C	D	E	F	G	I	J	L	M	N	O	P	R
OKC 400 NTR/BP	1920	750	810	650	79	1799	1194	1005	304	329	944	-	-	514	1289
OKC 500 NTR/BP	1924	800	860	700	55	1790	1264	1040	288	220	965	-	-	380	1409
OKC 400 NTRR/BP	1920	750	810	650	79	1799	1194	1005	304	329	944	1094	1446	514	1289
OKC 500 NTRR/BP	1924	800	860	700	55	1790	1264	1040	288	220	965	1114	1604	380	1409

- SOCKET no. 1 1" outer
- SOCKET no. 2 3/4" outer
- SOCKET no. 3 3/4" inner
- SOCKET no. 4 1/2" inner
- SOCKET no. 5 6/4" inner



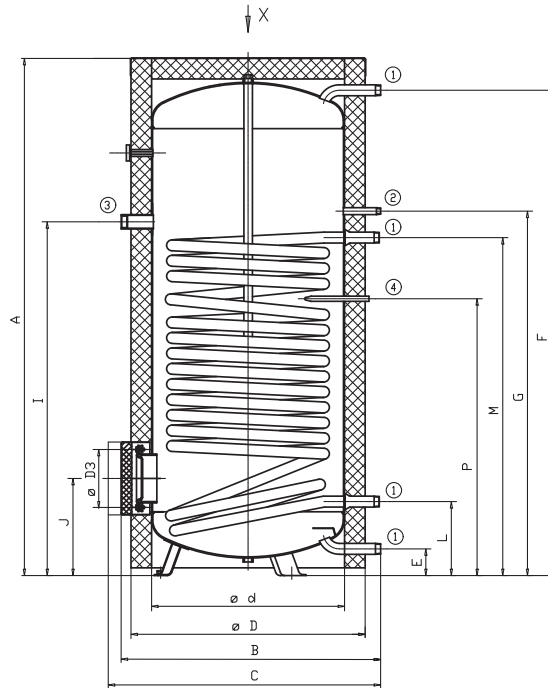
OKC 400, 500 NTR/BP

- SOCKET no. 1 1" outer
- SOCKET no. 2 3/4" outer
- SOCKET no. 3 1/2" inner
- SOCKET no. 4 3/4" inner
- SOCKET no. 5 6/4" inner



OKC 400, 500 NTRR/BP

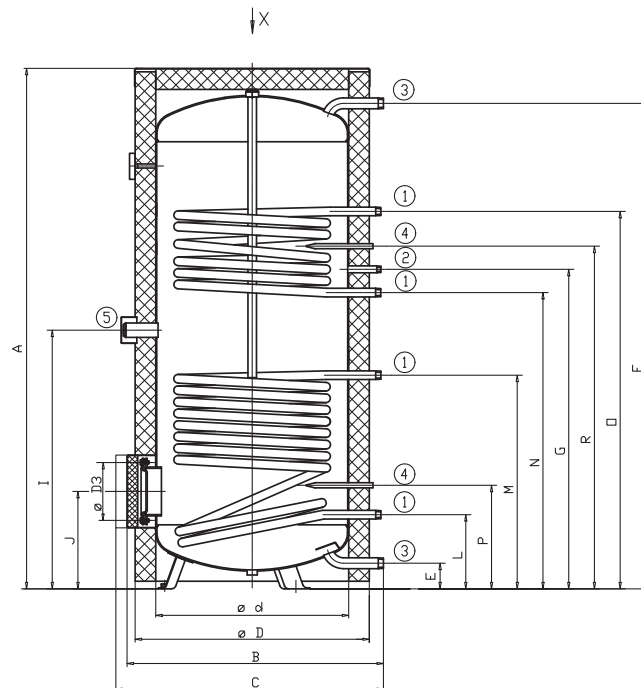
Dimensions [mm]	A	B	C	D	D3	E	F	G	I	J	L	M	P
OKC 750 NTR/BP	2030	1030	max. 1140	910	225	106	1890	1422	1380	383	293	1319	1081
OKC 1000 NTR/BP	2050	1130	max. 1240	1010	225	103	1900	1490	1375	386	296	1324	1088



SOCKET no. 1 5/4" outer  
 SOCKET no. 2 3/4" outer  
 SOCKET no. 3 6/4" inner  
 SOCKET no. 4 1/2" inner

**OKC 750, 1000 NTR/BP**

Dimensions [mm]	A	B	C	D	D3	E	F	G	I	J	L	M	N	O	P	R
OKC 750 NTRR/BP	2030	1030	max. 1140	910	225	106	1890	1246	1009	383	293	835	1156	1471	407	1336
OKC 1000 NTRR/BP	2050	1130	max. 1240	1010	225	103	1900	1243	1024	386	296	884	1153	1423	411	1333



SOCKET no. 1 1" outer  
 SOCKET no. 2 3/4" outer  
 SOCKET no. 3 5/4" outer  
 SOCKET no. 4 1/2" inner  
 SOCKET no. 5 6/4" inner

**OKC 750, 1000 NTRR/BP**

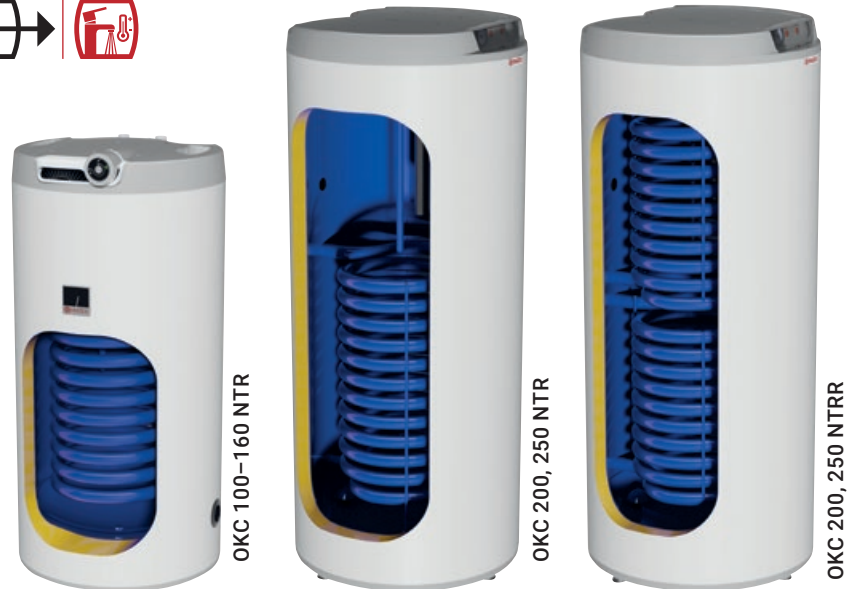
# OKC NTR(R)

## HOT WATER STORAGE TANKS

## FLOOR-STANDING INDIRECT HEATING

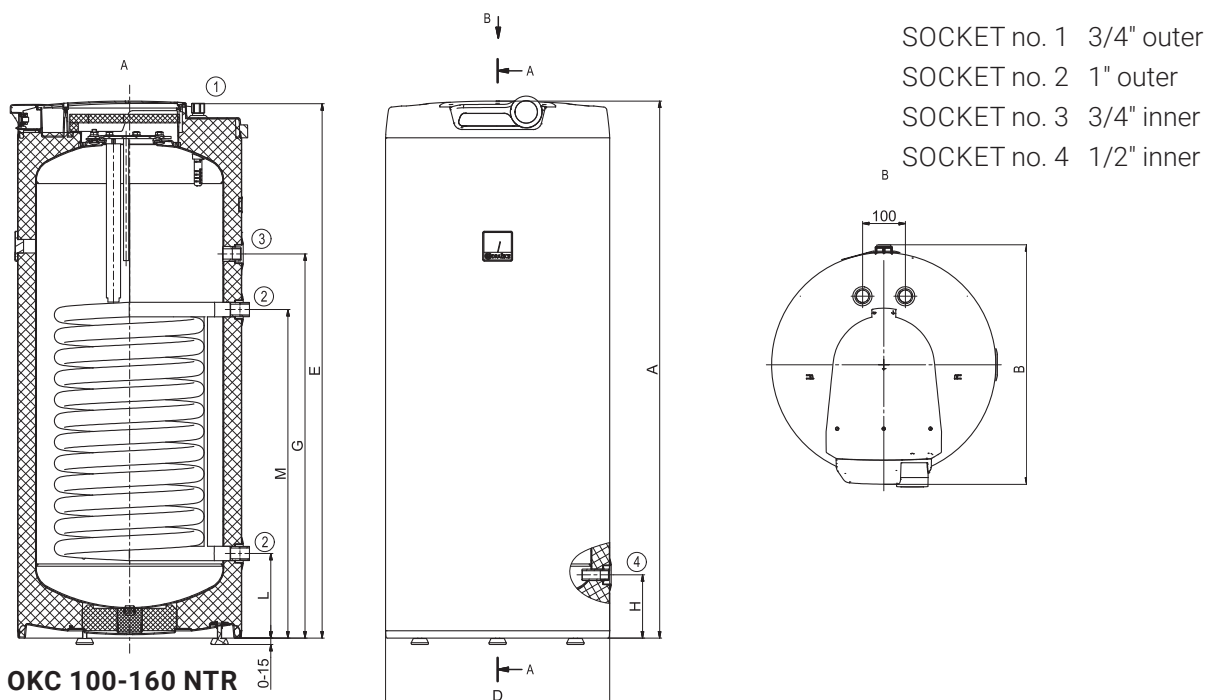


- Two exchangers possible for models from 200 and up
- Service water inlet and outlet through top lid for models 100–160
- Models 100–160 have discharge outlet enclosed

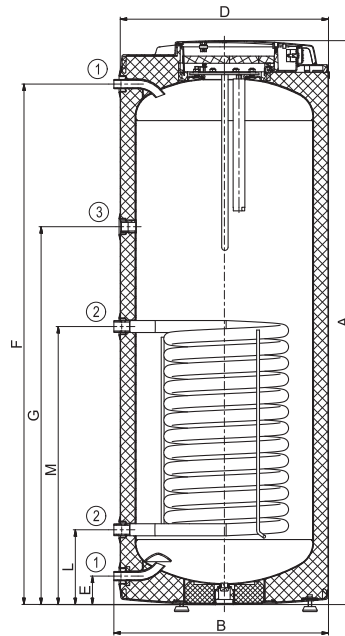


Type of storage tank		OKC 100 NTR	OKC 125 NTR	OKC 160 NTR	OKC 200 NTR(R)	OKC 250 NTR(R)
Order number		1108708101	1103708101	1106708101	110770801 (110790801)	110970801 (110990801)
Capacity	[l]	87	113	148	208 (200)	242 (234)
Max. weight of the empty water heater	[kg]	53	66	73	88 (102)	92 (104)
Insulation thickness	[mm]	42				
Thermal conductivity of the insulation	[W·m <sup>-1</sup> ·K <sup>-1</sup> ]	0,022				
Electrical connection		1/N/PE ~ 230V/50Hz				
Degree of protection		IP42				
Max. operating temp. / overpressure in tank	[°C]/[bar]	80/6				
Heat transfer surface of the exchanger* (top/bottom)	[m <sup>2</sup> ]	1,08		1,45		1,45 (1/1)
Capacity of the exchanger* (top/bottom)	[l]	7,1		9,5		9,5 (7/7)
Max. operating temperature / overpressure in exchanger	[°C]/[bar]	110/10				
Power of the exchanger at the 720 l at 80 °C	[kW]	24		32		32 (24/24)
Heating time by the exchanger from 10 °C to 60 °C *	[min]	13	12	16	23 (13/25)	26 (14/28)
Energy efficiency class		B				
Static loss	[W]	42	54	75	82	87

Dimensions [mm]	A	B	D	E	G	H	L	M
OKC 100 NTR	902	565	524	893	535	145	195	635
OKC 125 NTR	1067	565	524	1058	635	145	195	765
OKC 160 NTR	1255	565	524	1246	897	145	195	765



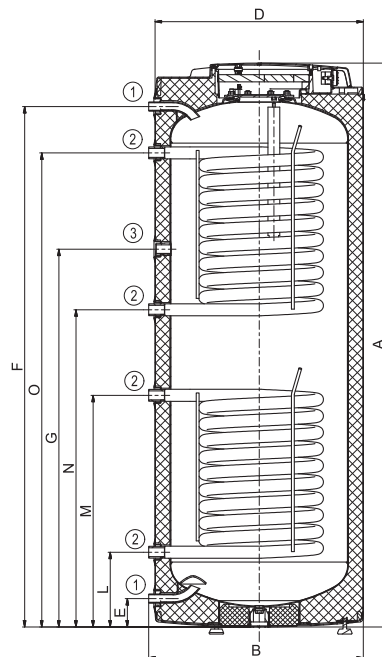
Dimensions [mm]	A	B	D	E	F	G	L	M
OKC 200 NTR	1400	603	584	80	1280	950	209	779
OKC 250 NTR	1580	603	584	80	1460	1060	209	779



SOCKET no. 1 3/4" outer  
 SOCKET no. 2 1" outer  
 SOCKET no. 3 3/4" inner

**OKC 200, 250 NTR**

Dimensions [mm]	A	B	D	E	F	G	L	M	N	O
OKC 200 NTRR	1400	603	584	80	1280	950	209	649	709	1149
OKC 250 NTRR	1580	603	584	80	1460	1060	209	649	889	1329



SOCKET no. 1 3/4" outer  
 SOCKET no. 2 1" outer  
 SOCKET no. 3 3/4" inner

**OKC 200, 250 NTRR**

# OKC NTR/HV

## HOT WATER STORAGE TANKS

### FLOOR-STANDING INDIRECT HEATING



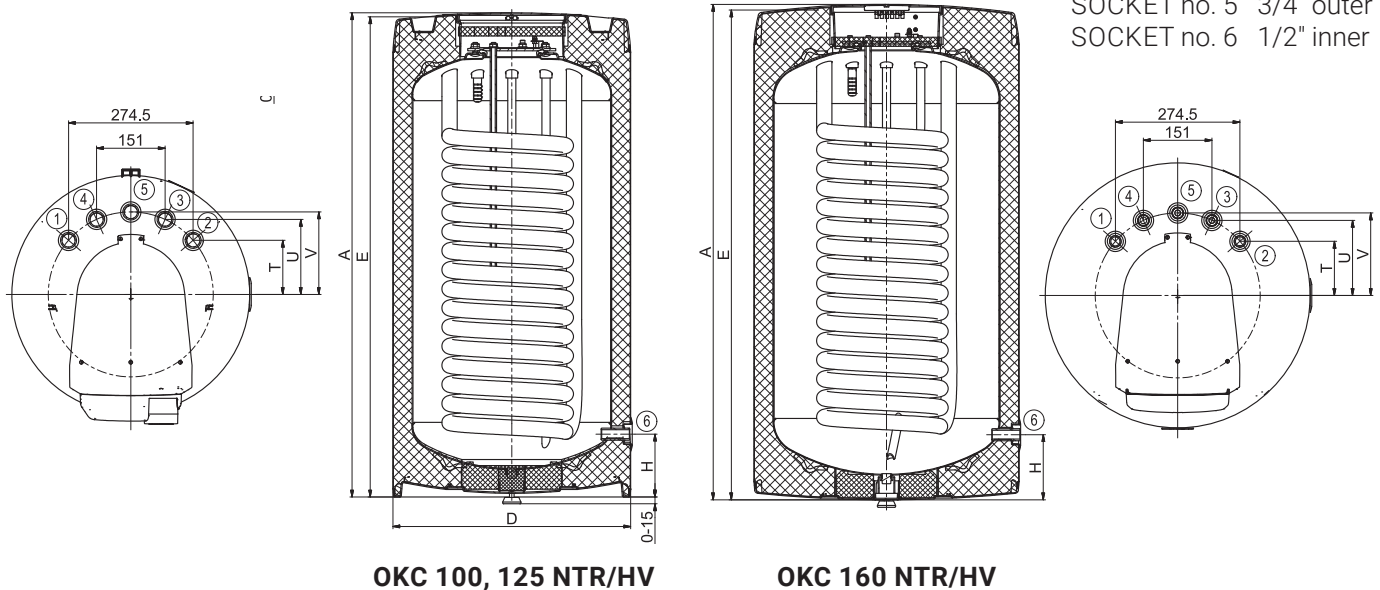
- Inlets and outlets of all media through the top lid
- Storage tanks suitable for installation under wall-mounted boilers
- Storage tanks have discharge outlet enclosed



Type of storage tank		OKC 100 NTR/HV	OKC 125 NTR/HV	OKC 160 NTR/HV
Order number		1108706101	1103706101	110670601
Capacity	[l]	87	113	144
Max. weight of the empty water heater	[kg]	53	64	77
Insulation thickness	[mm]	42		
Thermal conductivity of the insulation	[W·m <sup>-1</sup> ·K <sup>-1</sup> ]	0,022		
Electrical connection		1/N/PE ~ 230V/50Hz		
Degree of protection		IP42		
Max. operating temp. / overpressure in tank	[°C]/[bar]	80/6		
Heat transfer surface of the exchanger *	[m <sup>2</sup> ]	1,08		1,45
Capacity of the exchanger *	[l]	7,1		9,5
Max. operating temperature / overpressure in exchanger	[°C]/[bar]	110/10		
Power of the exchanger at the 720 l at 80 °C	[kW]	24		32
Heating time by the exchanger from 10 °C to 60 °C *	[min]	13	12	16
Energy efficiency class		B		C
Static loss	[W]	42		65

Dimensions [mm]	A	D	E	H	T	U	V
OKC 100 NTR/HV	902	524	892	145	119	165	182
OKC 125 NTR/HV	1067	524	1057	145	119	165	182
OKC 160 NTR/HV	1092	584	1079	146	119	165	182

- SOCKET no. 1 3/4" outer
- SOCKET no. 2 3/4" outer
- SOCKET no. 3 3/4" outer
- SOCKET no. 4 3/4" outer
- SOCKET no. 5 3/4" outer
- SOCKET no. 6 1/2" inner





- Inlets and outlets of all media through the top lid
- Storage tanks suitable for installation under wall-mounted boilers
- Storage tanks have discharge outlet enclosed

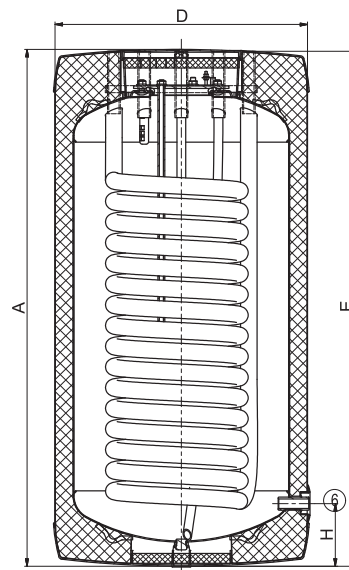
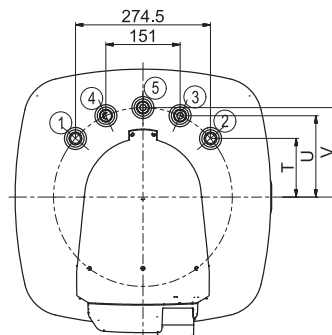


OKH 125 NTR/HV

Type of storage tank		OKH 100 NTR/HV	OKH 125 NTR/HV
Order number		140870601	140370601
Capacity	[l]	87	113
Max. weight of the empty water heater	[kg]	55	67
Insulation thickness	[mm]		to 80
Thermal conductivity of the insulation	[W·m <sup>-1</sup> ·K <sup>-1</sup> ]		0,022
Electrical connection			1/N/PE ~ 230V/50Hz
Degree of protection			IP42
Max. operating temp. / overpressure in tank	[ °C]/[bar]		80/6
Heat transfer surface of the exchanger *	[m <sup>2</sup> ]	1,08	1,45
Capacity of the exchanger *	[l]	7,1	9,5
Max. operating temperature / overpressure in exchanger	[ °C]/[bar]		110/10
Power of the exchanger at the 720 l at 80 °C	[kW]	24	32
Heating time by the exchanger from 10 °C to 60 °C *	[min]		13
Energy efficiency class			B
Static loss	[W]	44	49

Dimensions [mm]	A	D	E	H	T	U	V
OKH 100 NTR/HV	897	520	888	127	119	165	182
OKH 125 NTR/HV	1058	520	1049	127	119	165	182

- SOCKET no. 1 3/4" outer
- SOCKET no. 2 3/4" outer
- SOCKET no. 3 3/4" outer
- SOCKET no. 4 3/4" outer
- SOCKET no. 5 3/4" outer
- SOCKET no. 6 1/2" inner



OKH 100, 125 NTR/HV

# OKC NTR/HP

## HOT WATER STORAGE TANKS

### FLOOR-STANDING INDIRECT HEATING



- Working pressure in the vessel and in the heat exchanger is 1 MPa
- With one large heat exchanger for connecting the heating source (heat pump, low-temperature source)
- Installation of TJ 6/4" electrical heating unit possible
- Installation of TPK 150-8/2,2 kW electrical heating unit for OKC 300–500 NTR/HP possible
- Removable insulation for models 750–1000



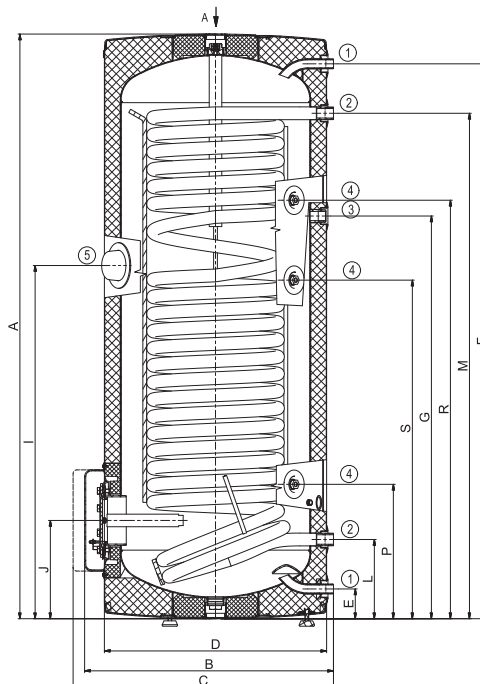
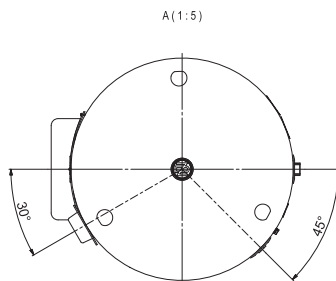
OKC 250 NTR/HP



OKC 500 NTR/HP

Type of storage tank		OKC 250 NTR/HP	OKC 300 NTR/HP	OKC 400 NTR/HP	OKC 500 NTR/HP	OKC 750 NTR/HP	OKC 1000 NTR/HP
Order number		110991401	121091401	121491401	121391401	105513051	105513052
Capacity	[l]	234	286	352	469	710	930
Max. weight of the empty water heater	[kg]	119	133	190	223	259	324
Insulation thickness	[mm]	42	60	50		80	
Thermal conductivity of the insulation	[W·m <sup>-1</sup> ·K <sup>-1</sup> ]	0,022	0,021		0,032		
Max. operating temp. / overpressure in tank	[°C]/[bar]	80/10					
Heat transfer surface of the exchanger *	[m <sup>2</sup> ]	2,5	3,2	5,2	6,4	7	9
Capacity of the exchanger *	[l]	17	21	32	39	47	63
Heating time by the exchanger from 10 °C to 50 °C *	[min]	34	32	26	24	16	
Max. operating temperature / overpressure in exchanger	[°C]/[bar]	110/10					
Energy efficiency class		C					
Static loss	[W]	87	72	90	105	130	142

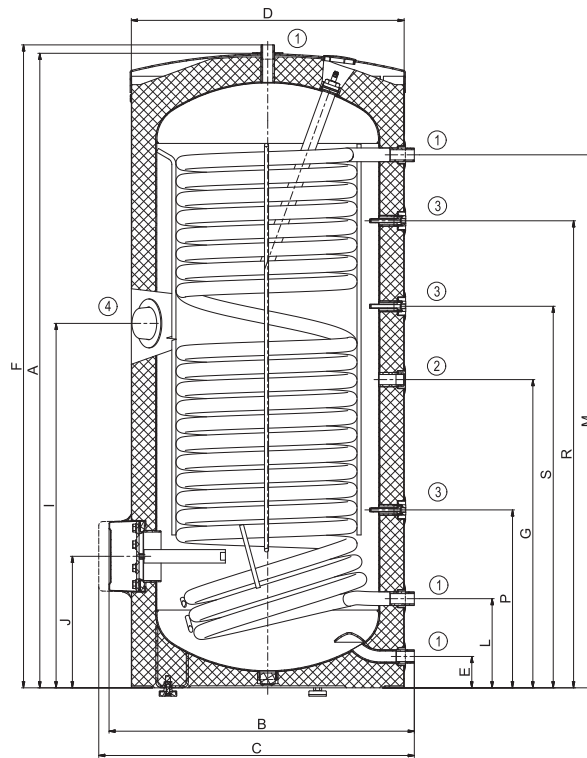
Dimensions [mm]	A	B	C	D	E	F	G	I	J	L	M	P	R	S
OKC 250 NTR/HP	1537	660	685	584	80	1460	1060	928	259	209	1330	355	1100	890



OKC 250 NTR/HP

- SOCKET no. 1 3/4" outer
- SOCKET no. 2 1" outer
- SOCKET no. 3 3/4" inner
- SOCKET no. 4 1/2" inner
- SOCKET no. 5 6/4" inner

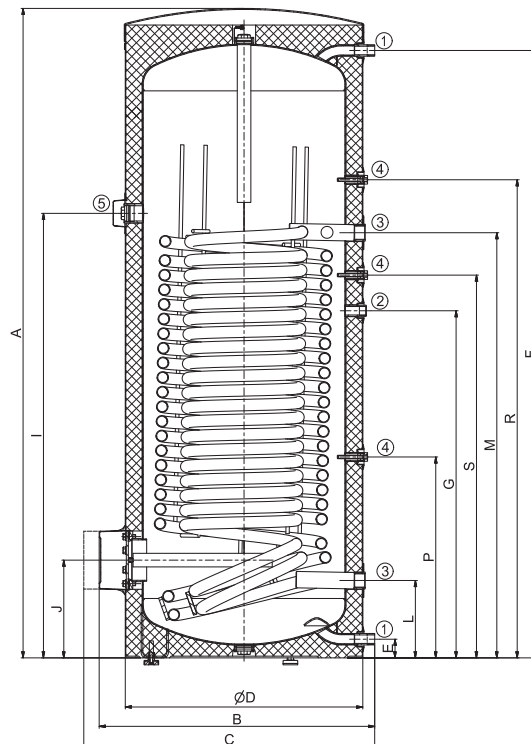
Dimensions [mm]	A	B	C	D	E	F	G	I	J	L	M	P	R	S
<b>OKC 300 NTR/HP</b>	1558	750	775	670	77	1579	760	895	325	219	1309	438	1148	937



- SOCKET no. 1 1" outer
- SOCKET no. 2 3/4" inner
- SOCKET no. 3 1/2" inner
- SOCKET no. 4 6/4" inner

**OKC 300 NTR/HP**

Dimensions [mm]	A	B	C	D	E	F	G	I	J	L	M	P	R	S
<b>OKC 400 NTR/HP</b>	1644	812	857	700	55	1521	843	1138	288	228	1081	592	1237	956
<b>OKC 500 NTR/HP</b>	1914	812	857	700	55	1790	1023	1310	288	228	1253	592	1409	1128

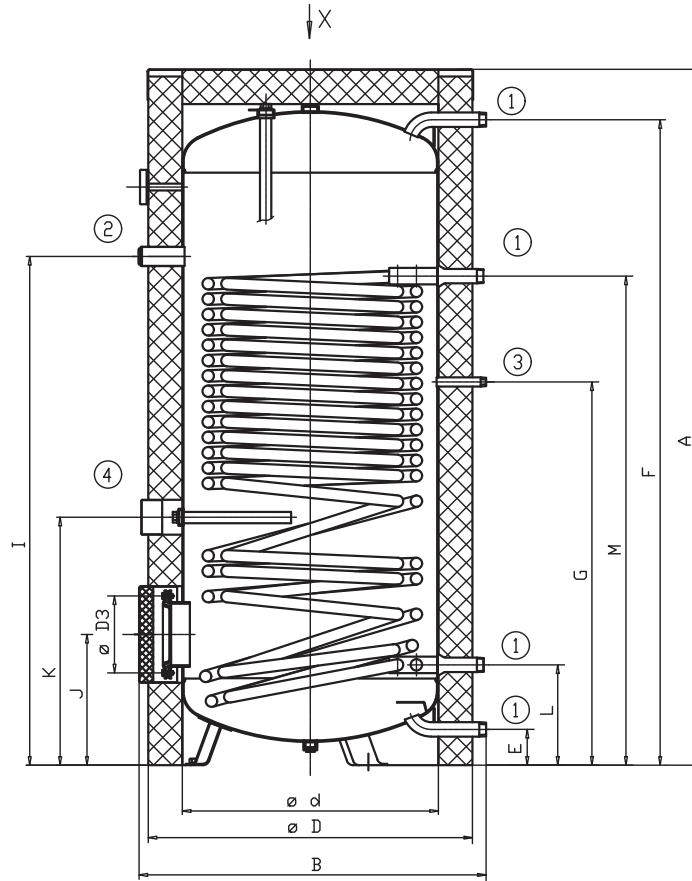


- SOCKET no. 1 1" outer
- SOCKET no. 2 3/4" inner
- SOCKET no. 3 5/4" inner
- SOCKET no. 4 1/2" inner
- SOCKET no. 5 6/4" inner

**OKC 400, 500 NTR/HP**



Dimensions [mm]	A	B	D	D3	E	F	G	I	J	K	L	M
OKC 750 NTR/HP	2039	1017	910	225	105	1891	1123	1491	383	727	294	1433
OKC 1000 NTR/HP	2053	1117	1010	225	105	1905	1173	1547	391	780	301	1483



SOCKET no. 1 5/4" outer  
 SOCKET no. 2 6/4" inner  
 SOCKET no. 3 3/4" outer  
 SOCKET no. 4 5/4" inner

**OKC 750, 1000 NTR/HP**

# OKC NTRR/HP/SOL

## HOT WATER STORAGE TANKS

### FLOOR-STANDING INDIRECT HEATING



- Working pressure in the vessel and in the heat exchanger is 1 MPa
- With two heat exchangers, the upper large heat exchanger for connection heating sources (heat pump, low-temperature source) and bottom exchanger (eg solar)
- Installation of TJ 6/4" electrical heating nit possible
- Installation of TPK 150-8/2,2 kW electrical heating unit possible
- Storage tank includes 3 sensor pockets

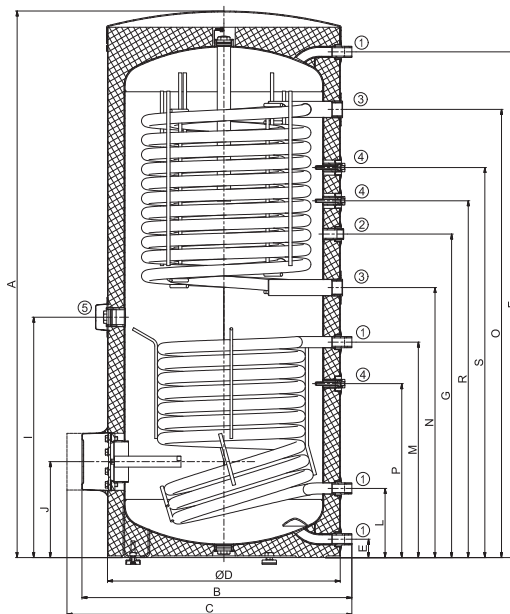


Type of storage tank		OKC 400 NTRR/HP/SOL	OKC 500 NTRR/HP/SOL
Order number		121491402	121391402
Capacity	[l]	352	469
Max. weight of the empty water heater	[kg]	183	233
Insulation thickness	[mm]	50	
Thermal conductivity of the insulation	[W·m <sup>-1</sup> ·K <sup>-1</sup> ]	0,021	
Max. operating temp. / overpressure in tank	[°C]/[bar]	80/10	
Heat transfer surface of the exchanger* (top/bottom)	[m <sup>2</sup> ]	3,1/1,4	4,8/2
Capacity of the exchanger* (top/bottom)	[l]	19,3/9	29,7/12,3
Max. operating temperature / overpressure in exchanger	[°C]/[bar]	110/10	
Power of the exchanger (ČSN EN 12897)	[kW]	45**/32*	50**/58*
Heating time by the exchanger from 10 °C to 60 °C *	[min]	32/22	26/27
Energy efficiency class		C	
Static loss	[W]	90	105

\* measured with heating water 80 °C

\*\* measured with heating water 55 °C

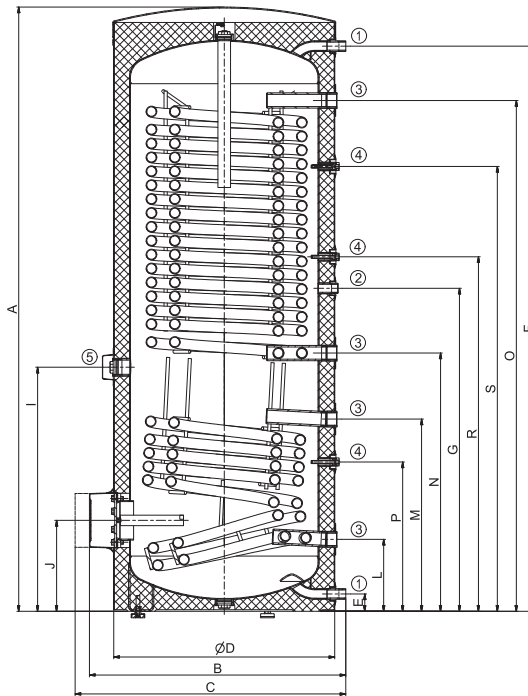
Dimensions [mm]	A	B	C	D	E	F	G	I	J	L	M	N	O	P	R	S
OKC 400 NTRR/HP/SOL	1644	812	857	700	55	1521	973	723	288	208	648	812	1348	523	1073	1173



OKC 400 NTRR/HP/SOL

- SOCKET no. 1 1" outer
- SOCKET no. 2 3/4" inner
- SOCKET no. 3 5/4" inner
- SOCKET no. 4 1/2" inner
- SOCKET no. 5 6/4" inner

Dimensions [mm]	A	B	C	D	E	F	G	I	J	L	M	N	O	P	R	S
<b>OKC 500 NTRR/HP/SOL</b>	1914	812	857	700	55	1790	1023	773	288	228	609	818	1618	473	1123	1409



- SOCKET no. 1 1" outer
- SOCKET no. 2 3/4" inner
- SOCKET no. 3 5/4" inner
- SOCKET no. 4 1/2" inner
- SOCKET no. 5 6/4" inner

**OKC 500 NTRR/HP/SOL**

# OKC NTRR/SOL

## SOLAR HOT WATER STORAGE TANKS

### FLOOR-STANDING

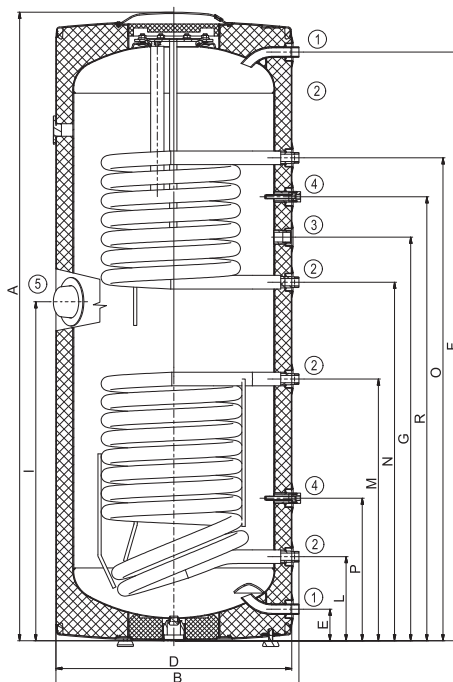


- Optimised exchanger surfaces for solar collectors and other sources of power
- Storage tank includes 2 temperature sensor pockets
- Installation of TJ 6/4" electrical heating unit possible
- Better layering of hot water thanks to modified dimensions
- Storage tanks can be used as main water heating storage tank or as pre-heating storage tank before existing hot water storage tank



Type of storage tank		OKC 200 NTRR/SOL	OKC 250 NTRR/SOL	OKC 300 NTRR/SOL
Order number		110791301	110991301	121091301
Capacity	[l]	200	242	275
Max. weight of the empty water heater	[kg]	104	109	111
Insulation thickness	[mm]	42		48
Thermal conductivity of the insulation	[W·m <sup>-1</sup> ·K <sup>-1</sup> ]	0,022		0,021
Max. operating temp. / overpressure in tank	[°C]/[bar]	80/10		
Heat transfer surface of the exchanger * (top/bottom)	[m <sup>2</sup> ]	0,8/0,8	0,8/1	0,8/1,2
Capacity of the exchanger * (top/bottom)	[l]	5,5/5,5	5,5/7	5,5/8,5
Max. operating temperature / overpressure in exchanger	[°C]/[bar]	110/10		
Power of the exchanger at the 720 l at 80 °C (top/bottom)	[kW]	19/19	19/24	19/29
Heating time by the exchanger from 10 °C to 60 °C *	[min]	23/34	26/33	25/33
Energy efficiency class		C		
Static loss	[W]	82	87	85

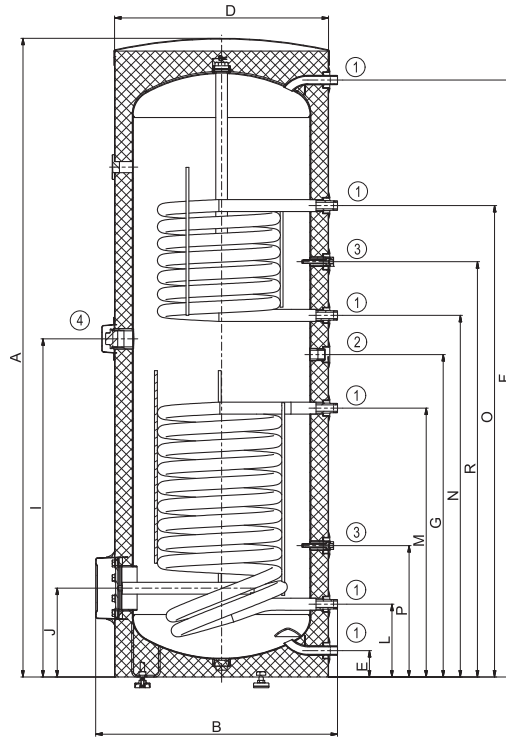
Dimensions [mm]	A	B	D	E	F	G	I	L	M	N	O	P	R
OKC 200 NTRR/SOL	1377	607	584	80	1280	820	668	209	516	708	1016	355	920
OKC 250 NTRR/SOL	1557	607	584	80	1460	1000	840	209	648	888	1196	355	1100



OKC 200, 250 NTRR/SOL

- SOCKET no. 1 3/4" outer
- SOCKET no. 2 3/4" inner
- SOCKET no. 3 1/2" inner
- SOCKET no. 4 6/4" inner

Dimensions [mm]	A	B	D	E	F	G	I	J	L	M	N	O	P	R
OKC 300 NTRR/SOL	1791	678	600	74	1674	904	948	249	204	754	1014	1322	369	1165



- SOCKET no. 1 3/4" outer
- SOCKET no. 2 3/4" inner
- SOCKET no. 3 1/2" inner
- SOCKET no. 4 6/4" inner

**OKC 300 NTRR/SOL**

**AQUA 250 HP****WATER HEATER WITH HEAT PUMP****FLOOR-STANDING**

- Quiet operation, high performance, energy saving
- Water heater enamel container
- Works from  $-5^{\circ}\text{C}$  of ambient temperature
- Temperature  $55^{\circ}\text{C}$  water also during winter
- Antilegionell function

Technical parameters		AQUA 250 HP
Order number	-	107020000
Capacity	[l]	250
Dimensions ( $\varnothing \times$ height)	[mm]	580 x 1960
Max. weight (without water)	[kg]	83
Upper piece	-	Stainless steel
Bottom part	-	Varnished sheet metals
Insulation thickness (PUR)	[mm]	50
Max. operating temperature / overpressure in tank	[ $^{\circ}\text{C}$ ] / [bar]	80 / 7
Degree of protection	-	IPx1
Electrical connection	-	1/N/PE ~ 230V/ 50 Hz
Input PP (medium / maximum)	[W]	400 / 700
Power consumption of the el. heating unit	[W]	1500
Thermal output PP	[W]	1800
Fan input	[W]	65
Recomm. circuit breaker value	[A]	16
Max. water temperature from PP	[ $^{\circ}\text{C}$ ]	55
Max. water temperature from heating unit	[ $^{\circ}\text{C}$ ]	65
Coolant	type / [kg]	R 134a / 1,2
Heat factor COP *	-	3,2
Heating time *	[h]	6,8
Mixed water V40 *	[l]	315
Air volume flow	[ $\text{m}^3 \cdot \text{h}^{-1}$ ]	450
Maximum piping length	[m]	10
Range of operating temperatures	[ $^{\circ}\text{C}$ ]	$-5 / 40$
Jigger profile	-	XL
Energy efficiency class	-	A+
Energy efficiency	[%]	134
Annual consumption	[kWh]	1251
Noise level	[dB(A)]	51
Function only at low tariffs el. energy	-	no
SMART function	-	0



# AQUA 250 HP

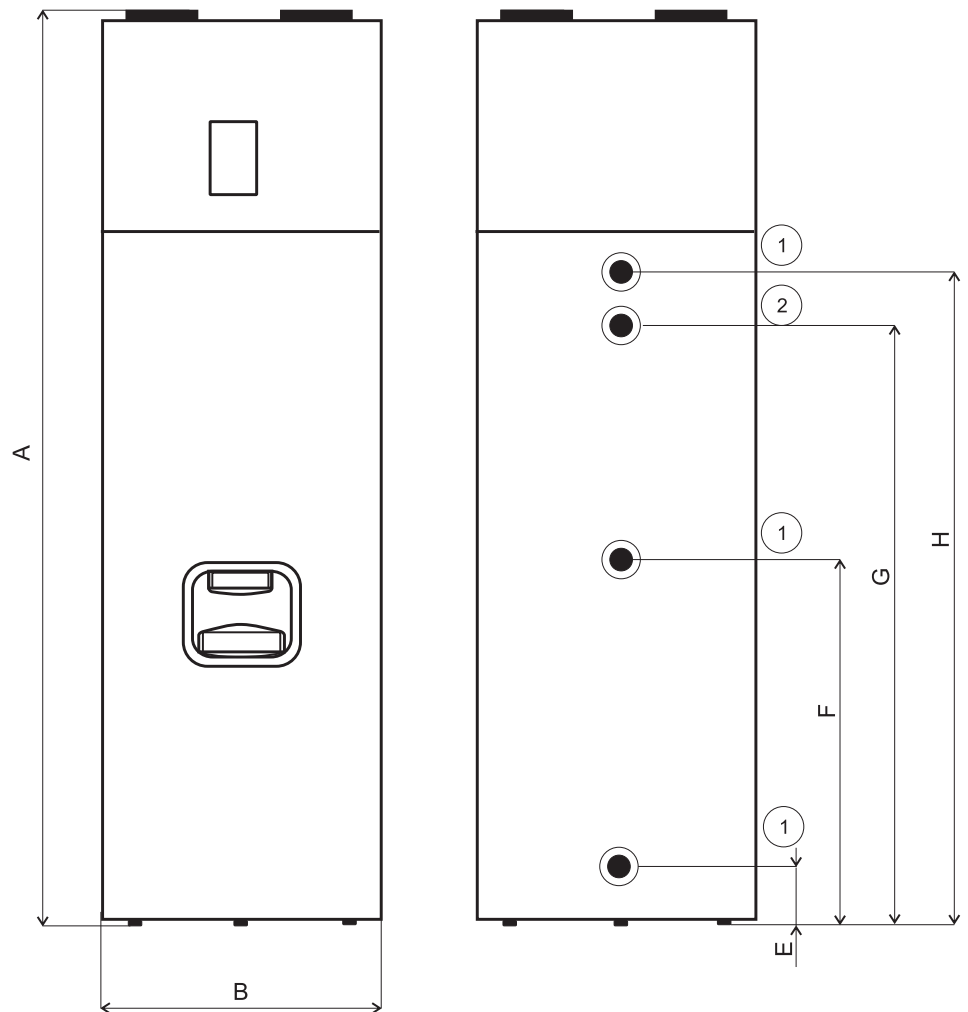
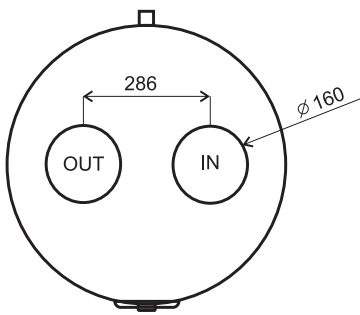
## WATER HEATER WITH HEAT PUMP

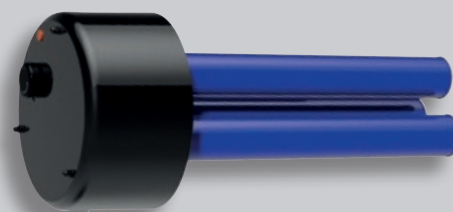
### FLOOR-STANDING

Dimensions [mm]	A	B	E	F	G	H
AQUA HP	1960	580	89	830	1341	1469

SOCKET no. 1 3/4" outer

SOCKET no. 3 1/2" inner









## ACCESSORIES

# IPS ProtectX

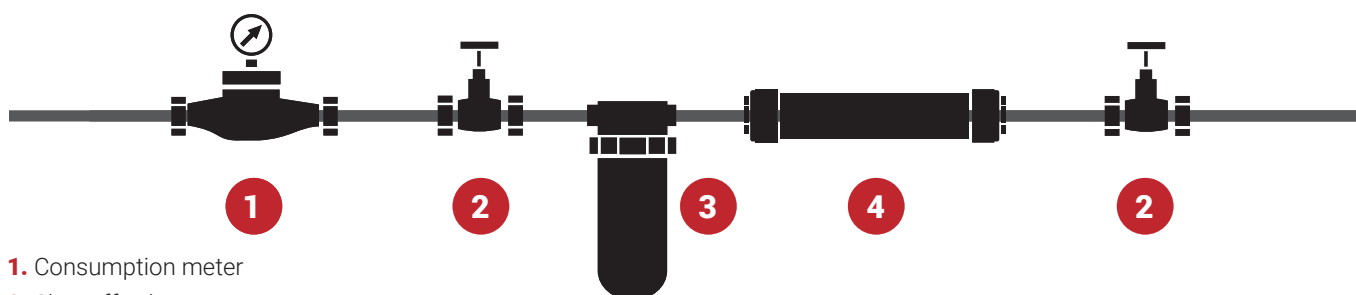
Equipment for the physical treatment of water in connection with the reduction of limestone for the protection of household appliances and water distribution systems



## ADVANTAGES

- It prolongs the service life of heating equipment and sanitary equipment
- No external power supply
- Maintenance free
- Zero additional costs
- It does not use any chemicals
- Negligible pressure losses
- Patented product
- Certified effectiveness

## INDICATIVE DIAGRAM OF THE IPS ProtectX EQUIPMENT LOCATION



1. Consumption meter
2. Shut-off valve
3. Mechanical dirt filter
4. IPS ProtectX

Order number	TYPE	DIMENSIONS (d × l)	MAXIMUM FLOW
100671000	ProtectX G 1/2"	50 × 245 mm	1 m <sup>3</sup> /h
100671001	ProtectX G 3/4"	50 × 245 mm	3,2 m <sup>3</sup> /h
100671002	ProtectX G 1"	50 × 245 mm	4 m <sup>3</sup> /h

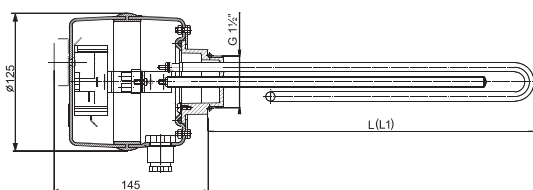
# ORIGINAL PARTS FROM DRAŽICE

## SCREW-TYPE ELECTRICAL HEATING UNITS OF THE TJ SERIES

Type		TJ 6/4"-2	TJ 6/4"-2,5	TJ 6/4"-3,3	TJ 6/4"-3,75	TJ 6/4"-4,5	TJ 6/4"-6	TJ 6/4"-7,5	TJ 6/4"-9
Order number L/L1		-/ 2110311	-/ 2110312	2110336 / -	-/ 2110314	-/ 2110315	-/ 2110316	2110319 / 2110317	2110320 / 2110318
Power consumption	[kW]	2	2,5	3,3	3,75	4,5	6	7,5	9
Weight	[kg]	1,2	1,3	1,7	2	2	2	2 / 2,3	2 / 2,3
Extension length L/L1	[mm]	- / 380	- / 405	325 / -	- / 450	- / 500	- / 520	575 / 685	605 / 720
Electrical connection		1/N/PE ~ 230V/50Hz	1/N/PE ~ 230V/50Hz	3/N/PE ~ 400V/50Hz, △	3/N/PE ~ 400V/50Hz, △	3/N/PE ~ 400V/50Hz, △	3/N/PE ~ 400V/50Hz, △	3/N/PE ~ 400V/50Hz, △	3/N/PE ~ 400V/50Hz, △
Recomm.circuit breaker value	[A]	16	16	3 × 10	3 × 10	3 × 10	3 × 16	3 × 16	3 × 20
Degree of protection		IP44							
Scale of set temperature	[°C]	5-74							
Heat. time approx. 150 l 10-60°C	[h]	4,5	4	2,7	2,3	2	1,5	1,3	1

Types TJ 6/4"-2 and TJ 6/4"-2,5 include new flexible supply cable in the socket.

Extension lengths are in a tolerance of ± 10 mm.



## FLANGED ELECTRICAL HEATING UNITS OF THE R, SE SERIES

Type		REU 18-2,5	RDU 18-2,5	RDU 18-3	RDU 18-3,8	RDU 18-5	RDU 18-6	RDU 18-7,5	RDU 18-10	RSW 18-12	RSW 18-15	SE 377	SE 378
Order number		100541551	100541560	100541561	100541562	100541563	100541564	100541570	100541571	100541580	100541581	100541517	100541511
Power consumption	[kW]	2,5	2,5	3	3,8	5	6	7,5	10	12	15	8-11-16	9,5-12,7-19
Weight	[kg]	3	3,3	3,4	3,5	3,5	3,5	3,7	4	4	4,2	8	11,5
Extension length	[mm]	450								530	630	610	740
Electrical connection		1/N/PE ~ 230V/ 50Hz	3/N/PE ~ 400V/ 50Hz, △	3/N/PE ~ 400V/ 50Hz, △	3/N/PE ~ 400V/ 50Hz, △	3/N/PE ~ 400V/ 50Hz, △	3/N/PE ~ 400V/ 50Hz, △	3/N/PE ~ 400V/ 50Hz, △	3/N/PE ~ 400V/ 50Hz, △	3/N/PE ~ 400V/ 50Hz, △	3/N/PE ~ 400V/ 50Hz, △	3/N/PE ~ 400V/ 50Hz, △	3/N/PE ~ 400V/ 50Hz, △
Recomm.circuit breaker value	[A]	16	3 × 6	3 × 6	3 × 10	3 × 10	3 × 16	3 × 16	3 × 20	3 × 20	3 × 25	3 × 25	3 × 32
Degree of protection		IPX4											
Heat. time approx. 300 l 10-60°C	[h]	8	8	6	5	4	3	2,5	2	1,5	1,3	2-2,1,3	2-1,5-1

Extension lengths are in a tolerance of ± 10 mm.



## FLANGED ELECTRICAL HEATING UNITS WITH CERAMIC BODY OF THE TPK SERIES

Type		TPK 150-8/2,2	TPK 168-8/2,2	TPK 210-12/2,2	TPK 210-12/3-6	TPK 210-12/6,6	TPK 210-12/5-9	TPK 210-12/12	
Order number		2110409	2110055	2110053	2110050	2110410	2110051	2110414	
Power consumption	[kW]	2,2	2,2	2,2	3-4-6	6,6	5-7-9	12	
Weight	[kg]	4,2	4,2	6,6	12	13	13,6	14	
Extension length	[mm]	400	400	440	440	440	550	550	
Electrical connection		1/N/PE ~ 230V/50Hz	1/N/PE ~ 230V/50Hz	1/N/PE ~ 230V/50Hz	1/N/PE ~ 230V/50Hz, 3/N/PE ~ 400V/50Hz, △	3/N/PE ~ 3 × 230V/50Hz, △	3/N/PE ~ 400V/50Hz, △	3/N/PE ~ 400V/50Hz, △	
Recomm. circuit breaker value	[A]	16	16	16	20/3 × 16	3 × 16	3 × 20	3 × 25	
Degree of protection		IP42							
Scale of set temperature	[°C]	5-74							

\* – according to connection method

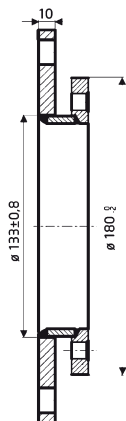
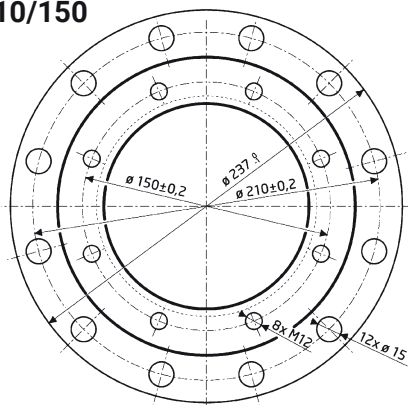
Extension lengths are in a tolerance of ± 10 mm.



# ORIGINAL PARTS FROM DRAŽICE

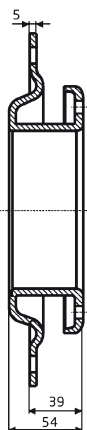
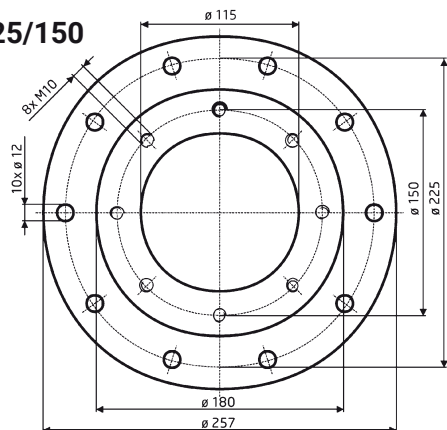
## REDUCTION FLANGES

210/150



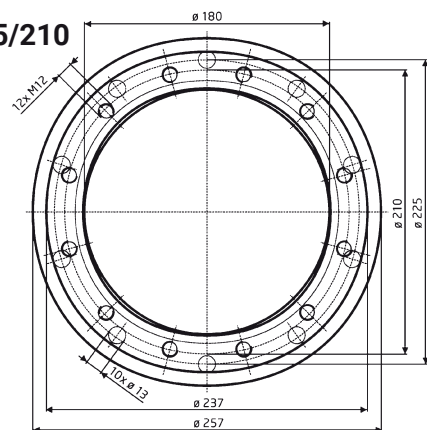
■ REU, RDU and RSW electrical heating units can be assembled in the OKCE 160–500 S, OKC 300, 400, 500 BP water heaters using a 210/150 reduction flange.

225/150



■ REU, RDU, RDW and RSW electrical heating units can be assembled in water heaters with capacities of 750 and 1000 litres using a 225/150 reduction flange.

225/210

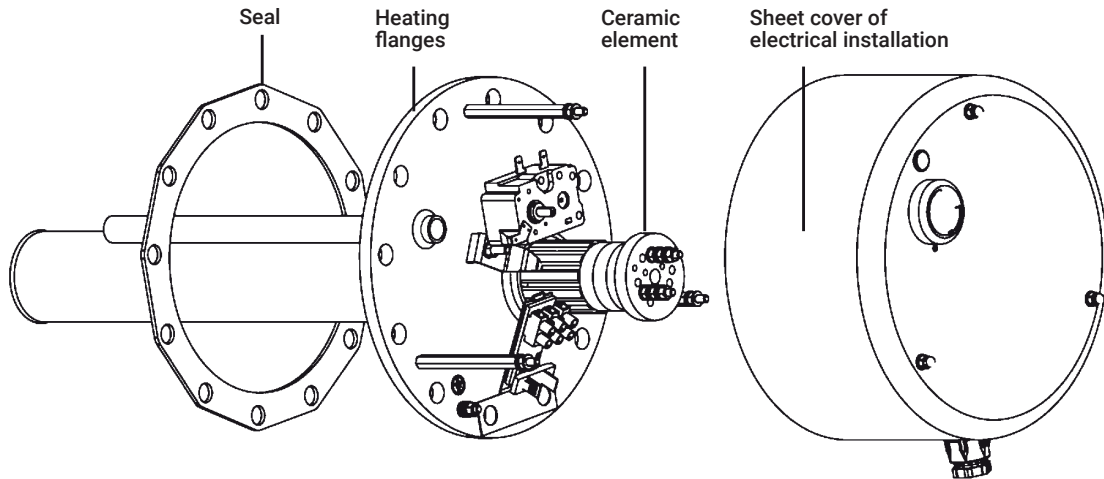


■ ETPK 210 - 2.2 kW and TPK 210 - 12/3-6 kW, TPK 210 - 12/5-9 kW and TPK 210 - 12/8-12 kW electrical heating units can be assembled in water heaters with capacities of 750 and 1000 litres using a 225/210 reduction flange.

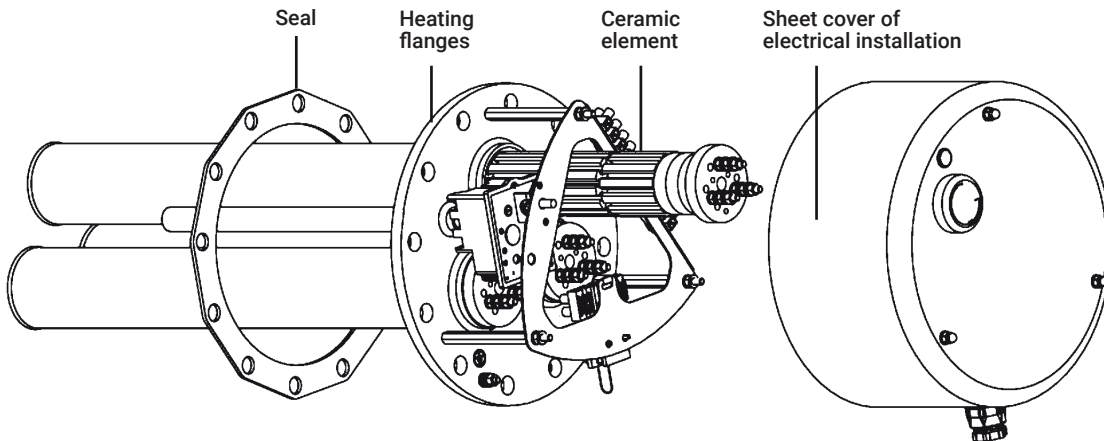
# ORIGINAL PARTS FROM DRAŽICE

## COMPOSITION OF SINGLE- AND THREE-PHASE TPK HEATING FLANGE UNITS

### TPK – single-phase



### TPK – three-phase



# ACCESSORIES TABLES

## MOUNTING OPTIONS FOR SCREW-TYPE ELECTRICAL HEATING UNITS OF THE TJ SERIES

Type	TJ 6/4" - 2*	TJ 6/4" - 2,5*	TJ 6/4" - 3,3	TJ 6/4" - 3,75*	TJ 6/4" - 4,5*	TJ 6/4" - 6*	TJ 6/4" - 7,5	TJ 6/4" - 7,5*	TJ 6/4" - 9	TJ 6/4" - 9*
OKCE 200 S	▲	▲	▲	▲	▲	-	-	-	-	-
OKCE 250 S	▲	▲	▲	▲	▲	▲	-	-	-	-
OKCE 300 S	▲	▲	▲	▲	▲	▲	-	-	-	-
OKCE 400 S	▲	▲	▲	▲	▲	▲	-	-	-	-
OKCE 500 S	▲	▲	▲	▲	▲	▲	▲	-	▲	-
OKC 200 NTR/BP	▲	▲	▲	▲	▲	▲	-	-	-	-
OKC 200 NTRR/BP	▲	▲	▲	▲	▲	▲	-	-	-	-
OKC 250 NTR/BP	▲	▲	▲	▲	▲	▲	-	-	-	-
OKC 250 NTRR/BP	▲	▲	▲	▲	▲	▲	-	-	-	-
OKC 300 NTR/BP	▲	▲	▲	▲	▲	▲	-	-	-	-
OKC 300 NTRR/BP	▲	▲	▲	▲	▲	-	-	-	-	-
OKC 400 NTR/BP	▲	▲	▲	▲	▲	▲	-	-	-	-
OKC 400 NTRR/BP	▲	▲	▲	▲	▲	▲	-	-	-	-
OKC 500 NTR/BP	▲	▲	▲	▲	▲	▲	▲	-	▲	-
OKC 500 NTRR/BP	▲	▲	▲	▲	▲	▲	▲	-	▲	-
OKC 750 NTR/BP	▲	▲	▲	▲	▲	▲	▲	▲	▲	▲
OKC 750 NTRR/BP	▲	▲	▲	▲	▲	▲	▲	▲	▲	▲
OKC 1000 NTR/BP	▲	▲	▲	▲	▲	▲	▲	▲	▲	▲
OKC 1000 NTRR/BP	▲	▲	▲	▲	▲	▲	▲	▲	▲	▲
OKC 250 NTR/HP	▲	▲	▲	-	-	-	-	-	-	-
OKC 300 NTR/HP	▲	▲	▲	▲	▲	-	-	-	-	-
OKC 400 NTR/HP	▲	▲	▲	▲	▲	▲	▲	-	▲	-
OKC 500 NTR/HP	▲	▲	▲	▲	▲	▲	▲	-	▲	-
OKC 750 NTR/HP	▲	▲	▲	▲	▲	▲	▲	▲	▲	▲
OKC 1000 NTR/HP	▲	▲	▲	▲	▲	▲	▲	▲	▲	▲
OKC 400 NTRR/HP/SOL	▲	▲	▲	▲	▲	▲	▲	-	▲	-
OKC 500 NTRR/HP/SOL	▲	▲	▲	▲	▲	▲	▲	-	▲	-
OKC 200 NTRR/SOL	▲	▲	▲	▲	▲	▲	-	-	-	-
OKC 250 NTRR/SOL	▲	▲	▲	▲	▲	▲	-	-	-	-
OKC 300 NTRR/SOL	▲	▲	▲	▲	▲	▲	-	-	-	-

- \* TJ 6/4" with extended cold part
- ▲ can be fitted
- cannot be fitted

## MOUNTING OPTIONS FOR FLANGED ELECTRICAL HEATING UNITS OF THE R, SE SERIES

Typ	REU 18-2,5	RDU 18-2,5	RDU 18-3	RDU 18-3,8	RDU 18-5	RDU 18-6	RDW 18-7,5	RDW 18-10	RSW 18-12	RSW 18-15	SE 377	SE 378
OKCE 300 S	●	●	●	●	●	●	●	●	●	-	-	-
OKCE 400 S	●	●	●	●	●	●	●	●	●	-	-	-
OKCE 500 S	●	●	●	●	●	●	●	●	●	●	-	-
OKCE 750 S	■	■	■	■	■	■	■	■	■	■	▲	▲
OKCE 1000 S	■	■	■	■	■	■	■	■	■	■	▲	▲
OKC 300 NTR/BP	●	●	●	●	●	●	●	●	-	-	-	-
OKC 300 NTRR/BP	●	●	●	●	●	●	●	●	-	-	-	-
OKC 400 NTR/BP	●	●	●	●	●	●	●	●	-	-	-	-
OKC 400 NTRR/BP	●	●	●	●	●	●	●	●	-	-	-	-
OKC 500 NTR/BP	●	●	●	●	●	●	●	●	-	-	-	-
OKC 500 NTRR/BP	●	●	●	●	●	●	●	●	-	-	-	-
OKC 750 NTR/BP	■	■	■	■	■	■	■	■	■	■	▲	-
OKC 750 NTRR/BP	■	■	■	■	■	■	■	■	■	■	▲	-
OKC 1000 NTR/BP	■	■	■	■	■	■	■	■	■	■	▲	▲
OKC 1000 NTRR/BP	■	■	■	■	■	■	■	■	■	■	▲	▲
OKC 300 NTR/HP	▲	▲	▲	▲	▲	▲	▲	▲	-	-	-	-
OKC 400 NTR/HP	▲	▲	▲	▲	▲	▲	▲	▲	-	-	-	-
OKC 500 NTR/HP	▲	▲	▲	▲	▲	▲	▲	▲	-	-	-	-
OKC 750 NTR/HP	■	■	■	■	■	■	■	■	■	■	-	-
OKC 1000 NTR/HP	■	■	■	■	■	■	■	■	■	■	▲	-

- ▲ can be fitted
- can only be fitted with the 225/150 reduction flange
- can only be fitted with the 210/150 reduction flange
- cannot be fitted

## ACCESSORIES TABLES

### MOUNTING OPTIONS FOR FLANGED ELECTRICAL HEATING UNITS OF THE TPK SERIES

Typ	TPK 150-8/ 2,2 kW	TPK 168-8/ 2,2 kW	TPK 210-12/ 2,2 kW	TPK 210-12/ 3-6 kW	TPK 210-12/ 6,6 kW	TPK 210-12/ 5-9 kW	TPK 210-12/ 12 kW
OKCE 160 S	-	-	▲	▲	▲	-	-
OKCE 200 S	-	-	▲	▲	▲	-	-
OKCE 250 S	-	-	▲	▲	▲	-	-
OKCE 300 S	-	-	▲	▲	▲	▲	▲
OKCE 400 S	-	-	▲	▲	▲	▲	▲
OKCE 500 S	-	-	▲	▲	▲	▲	▲
OKCE 750 S	-	-	■	■	■	■	■
OKCE 1000 S	-	-	■	■	■	■	■
OKC 160 NTR/BP	-	▲	-	-	-	-	-
OKC 200 NTR/BP	-	▲	-	-	-	-	-
OKC 200 NTRR/BP	-	▲	-	-	-	-	-
OKC 250 NTR/BP	-	▲	-	-	-	-	-
OKC 250 NTRR/BP	-	▲	-	-	-	-	-
OKC 300 NTR/BP	-	-	▲	▲	▲	-	-
OKC 300 NTRR/BP	-	-	▲	▲	▲	-	-
OKC 400 NTR/BP	-	-	▲	▲	▲	-	-
OKC 400 NTRR/BP	-	-	▲	▲	▲	-	-
OKC 500 NTR/BP	-	-	▲	▲	▲	-	-
OKC 500 NTRR/BP	-	-	▲	▲	▲	-	-
OKC 750 NTR/BP	-	-	■	■	■	■	■
OKC 750 NTRR/BP	-	-	■	■	■	■	■
OKC 1000 NTR/BP	-	-	■	■	■	■	■
OKC 1000 NTRR/BP	-	-	■	■	■	■	■
OKC 300 NTR/HP	▲	-	-	-	-	-	-
OKC 400 NTR/HP	▲	-	-	-	-	-	-
OKC 500 NTR/HP	▲	-	-	-	-	-	-
OKC 750 NTR/HP	-	-	■	■	■	■	■
OKC 1000 NTR/HP	-	-	■	■	■	■	■
OKC 400 NTRR/HP/SOL	▲	-	-	-	-	-	-
OKC 500 NTRR/HP/SOL	▲	-	-	-	-	-	-

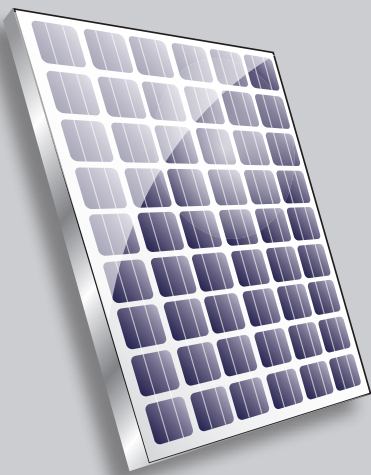
- ▲ can be fitted
- can only be fitted with the 225/210 reduction flange
- cannot be fitted

### BOX OF THERMOREGULATION KR

■ Indirect-heating water heaters are equipped with sensor pockets to place the sensor from an external source (solid fuel boiler, solar controller, heat pump, etc.). The KR thermoregulation box can be used in installations which cannot be controlled by a control unit from an external source; the KR box controls the external source or its switching elements (e.g. a three-way valve). The switching temperature can be set at between 5–74 °C. The water heater tank is equipped with sensor pockets with an internal thread of M 12 × 1.5 for the installation of the controllers' sensors.

KR		KR-230 V
Order number		2113000
Voltage	[V]	230









## **ANOTHER ASSORTMENT**

PHOTOVOLTAIC  
STORAGE TANKS  
AIR CONDITION

## LX

## PHOTOVOLTAIC SOLUTION

Technology for direct connection of photovoltaic panels to water heating. The use of photovoltaic panels for water heating is an ecological production of electricity, which is fully consumed directly by the manufacturer. No connection permissions are required, and no additional devices need to be purchased.

More information can be found at [www.dzd-fv.cz/en](http://www.dzd-fv.cz/en)



## NAD, NADS, NADO, NADOS

## STORAGE TANKS

Accumulation tanks for the accumulation of thermal energy from various heat sources. We manufacture a lot of types of storage tanks for various combinations and types of use. The basic division is as follows:

- storage tanks without hot water preparation NAD, NADS and UKV
- storage tanks with hot water preparation NADO and NADOS

More information can be found at [www.dzd.cz/en/akumulacni-nadrze](http://www.dzd.cz/en/akumulacni-nadrze).



## AIR

## SPLIT AIR CONDITIONING UNITS

SPLIT AIR is an air conditioner with one indoor unit designed for flats, family houses, offices or smaller facilities. The air conditioner consists of an outdoor unit, one indoor unit and a smart remote controller. All three performance variants of the AIR air conditioner offer cooling, heating, a fan and drying functions.



## AIR PLUS

## MULTISPLIT AIR CONDITIONING UNITS

The Multisplit AIR PLUS air conditioners are designed for systems with a requirement for more indoor units. In this solution, one suitably dimensioned outdoor unit is supplemented by two to four indoor units of identical or different outputs so that the requirements of the project are optimally met.

By combining three types of outdoor units and four types of indoor units, practically any configuration of cooling and heating systems can be achieved exactly according to your needs.



## DRUŽSTEVNÍ ZÁVODY DRAŽICE-STROJÍRNA s.r.o.

Dražice 69, 294 71 Benátky nad Jizerou  
Czech republic

tel.: +420/326 370 961  
e-mail: [export@dzd.cz](mailto:export@dzd.cz)  
[www.dzd.cz/en](http://www.dzd.cz/en)  
[www.dzd-fv.cz/en](http://www.dzd-fv.cz/en)



küttesüsteemid • müük • paigaldus • hooldus  
Paide mnt 7, Pärnu 80042, Eesti • [www.cerbos.ee](http://www.cerbos.ee)

PROUD  
PARTNER OF

